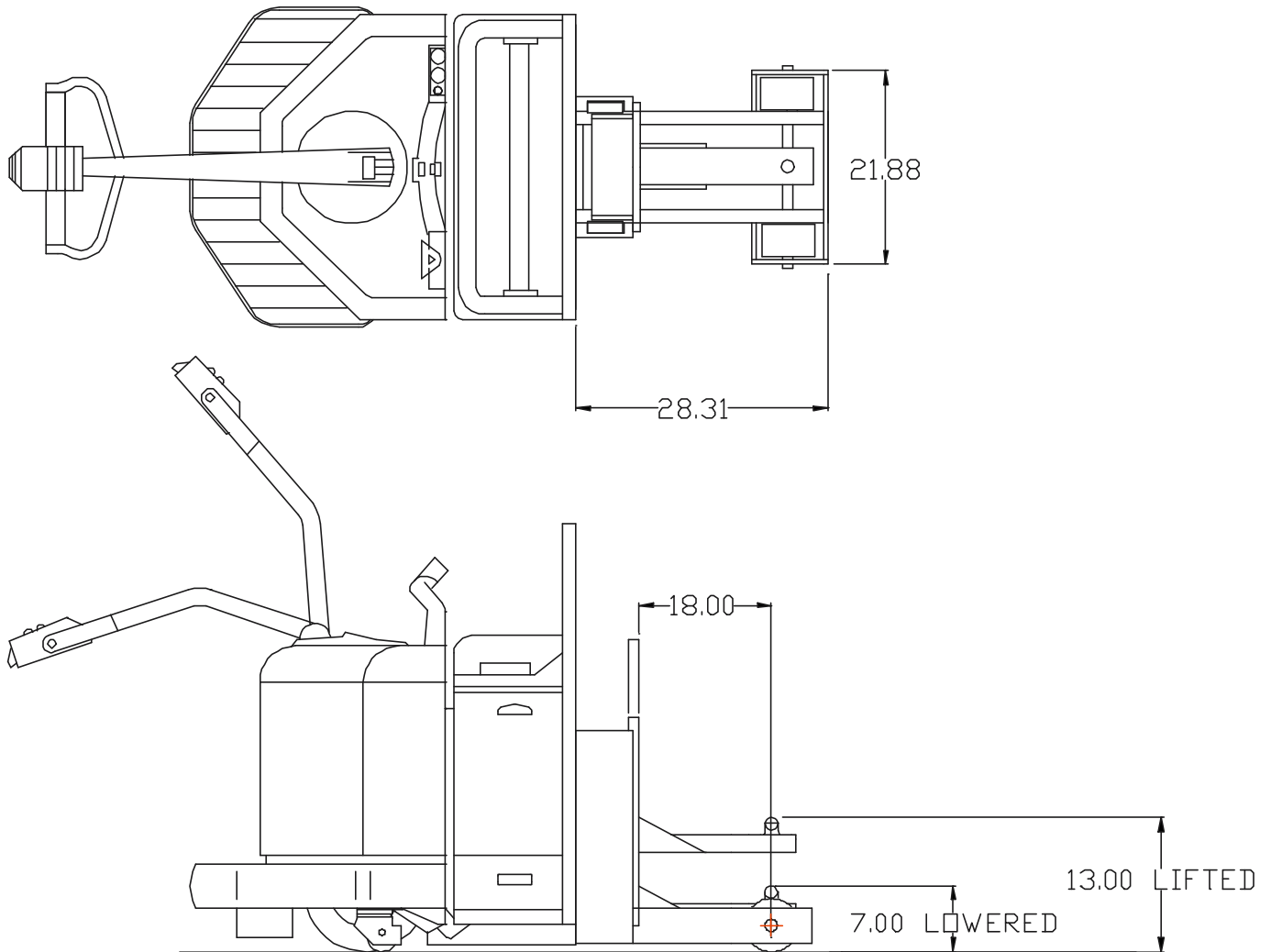


A-FRAME TUGGER SPECIFICATIONS

Shown below is our standard model attached to a pallet truck.
This model works for most applications.

Model# AFP-6-18-A-7



SUPERIOR
SE
ENGINEERING

SUPERIOR ENGINEERING, PO BOX 547, BELTON, SC 29627
TEL (864) 226-8799 OR 1-800-359-3052 FAX (864)231-6718
WEBSITE ADDRESS: WWW.SUPERIORENG.COM