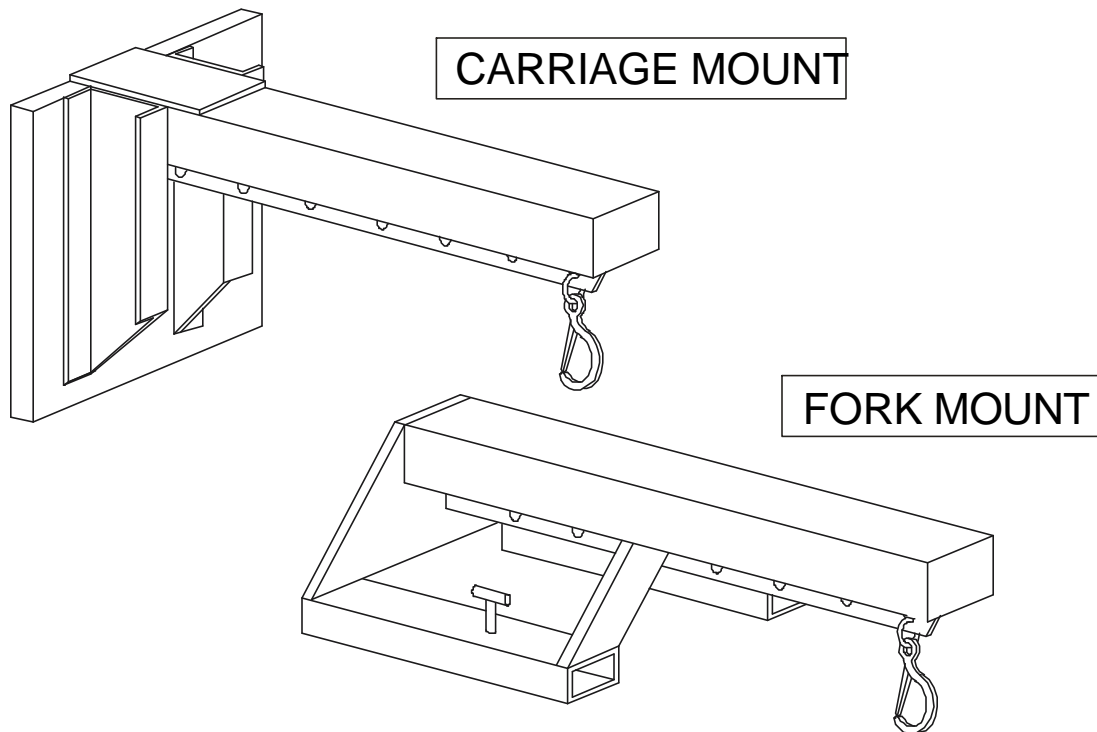




RIGID BOOM

The Superior Engineering Rigid Boom is ideal for handling heavy loads that cannot be readily palletized.



850 lbs - 30,000 lbs capacity
Fork mount or carriage mount (class II, III, and IV) available
Heavy duty construction
Swivel hook and clevis included
Large choice of ranges
Contact factory for optional models

SUPERIOR ENGINEERING, PO BOX 547, BELTON, SC 29627
TEL (864) 226-8799 OR 1-800-359-3052 FAX (864)231-6718
WEBSITE ADDRESS: WWW.SUPERIORENG.COM