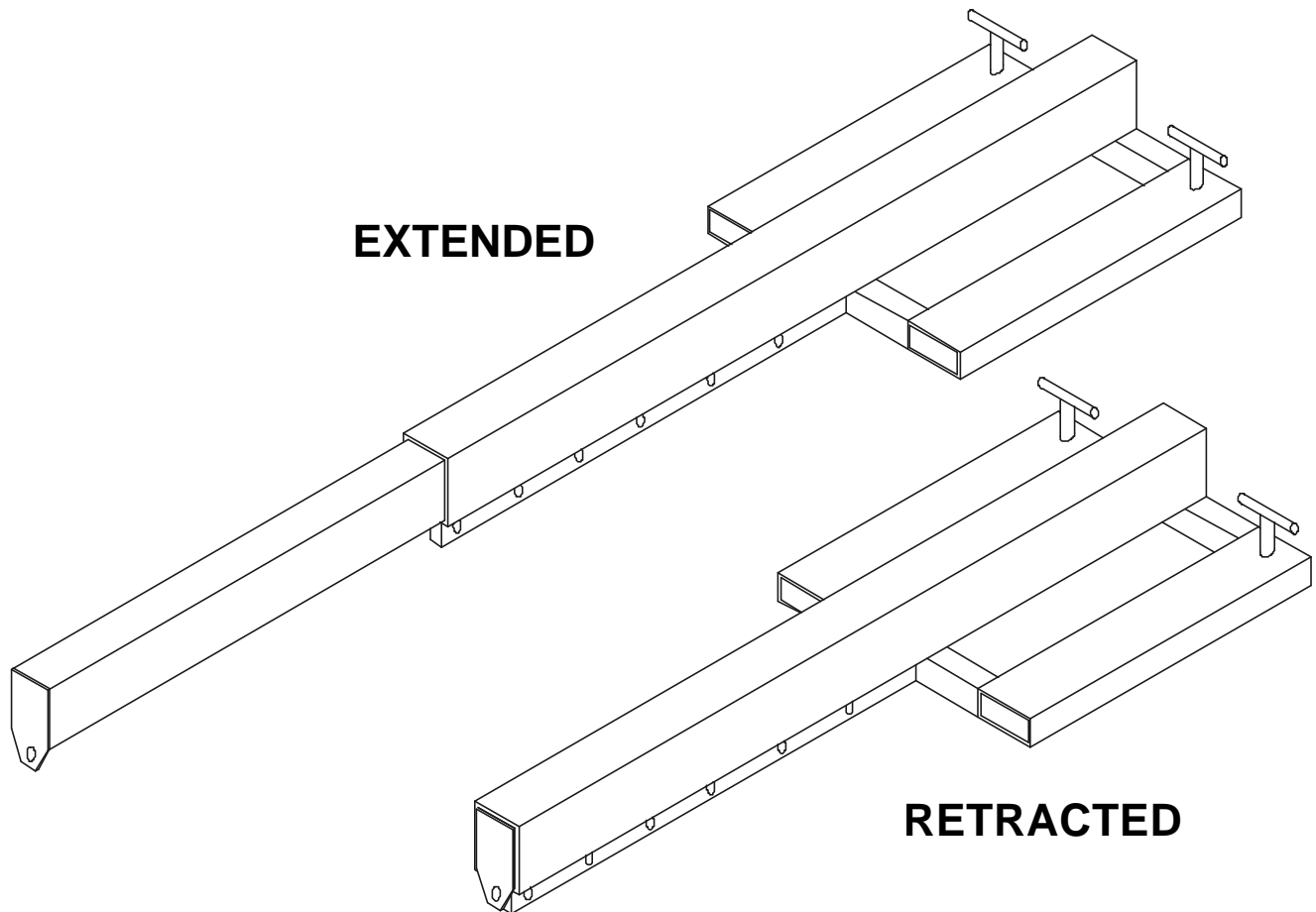




TELESCOPING BOOM

Superior Engineering's Telescoping Boom is designed for handling loads that cannot be readily palletized. The boom is fastened securely to forks or carriage mounted. The extension is useful for reaching over stacks of material or carrying long loads such as pipes or beams.



SUPERIOR ENGINEERING, PO BOX 547, BELTON, SC 29627
TEL (864) 226-8799 OR 1-800-359-3052 FAX (864)231-6718
WEBSITE ADDRESS: WWW.SUPERIORENG.COM