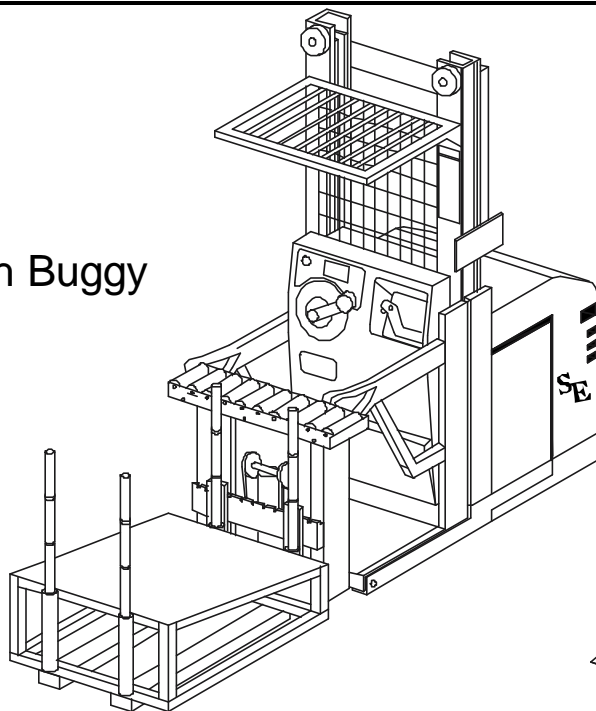




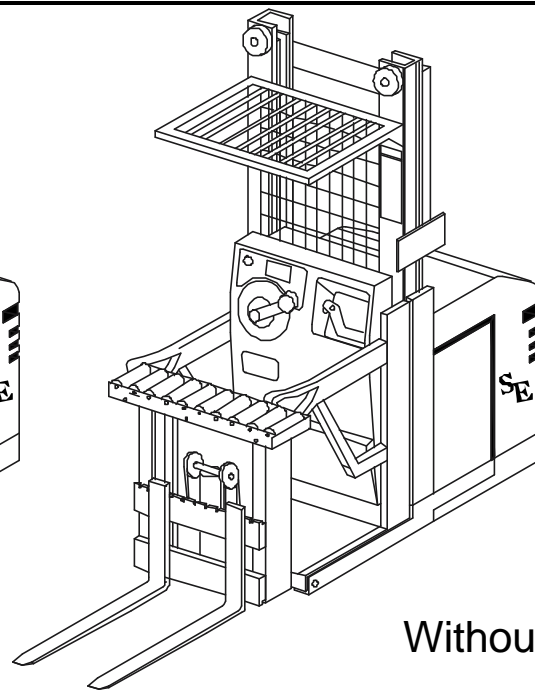
EZ-LOADER

The Superior Engineering EZ-Loader was designed with ease and convenience in mind. The EZ-Loader is an auxiliary mast with a carriage and forks attached to the front of your order picker with a gravity conveyor across the top of the auxiliary mast. This enables the operator to lift bundled rolls of any type of material or boxes via the mast, raise the load to the height of the conveyor, maneuver the individual roll or box onto the conveyor and easily slide it into the rack. The process is totally reversible allowing rolls or boxes to also be selected from the rack and onto the auxiliary mast. If you are handling individual loads or different types of items, a buggy can be supplied to help in the temporary storage of your loads. The buggy is equipped with telescopic load retainers that enable you to retain different size loads without interference from unnecessary parts. Casters are placed onto the buggies to enable any person to be able to move the buggies without the use of a lift truck or pallet jack. Many unique uses can be found for the EZ-Loader.

With Buggy



Without Buggy



SUPERIOR ENGINEERING, PO BOX 547, BELTON, SC 29627
TEL (864) 226-8799 OR 1-800-359-3052 FAX (864)231-6718
WEBSITE ADDRESS: WWW.SUPERIORENG.COM