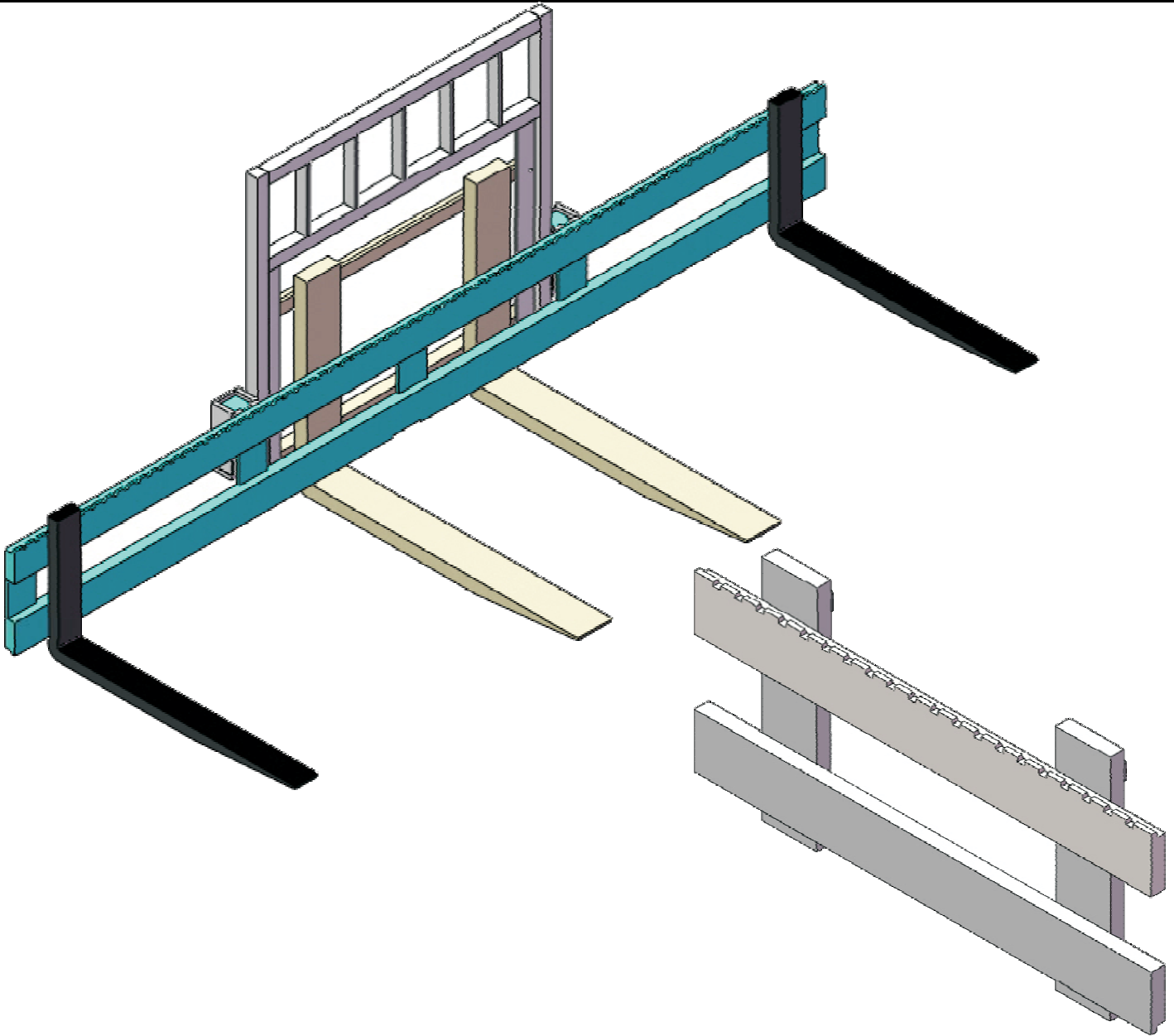


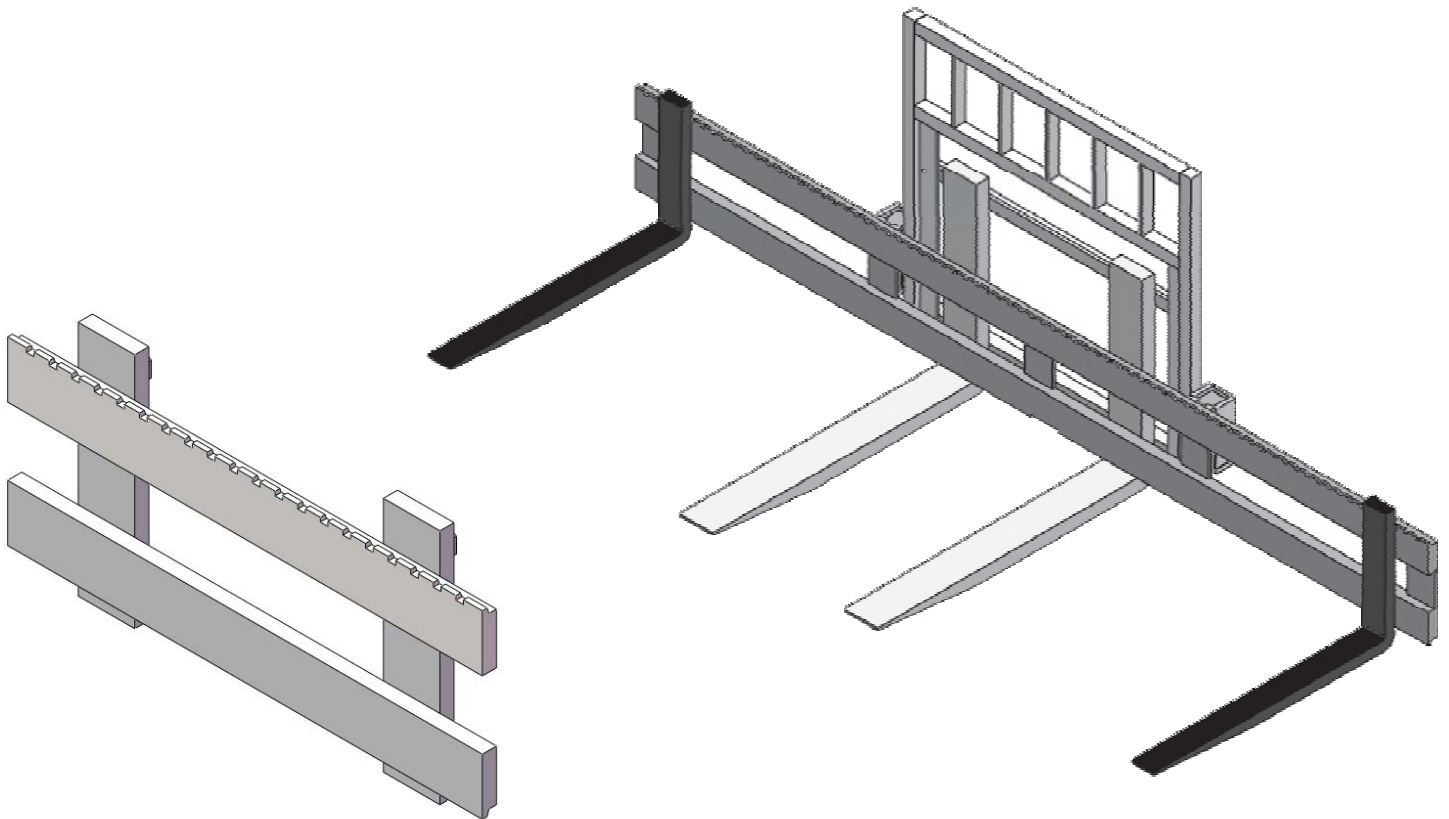
SUPERIOR ENGINEERING INC.

SUPERIOR FALSE CARRIAGE



SUPERIOR FALSE CARRIAGE

**CARRIAGE TO CARRIAGE
SHAFT TO CARRIAGE
DOVETAIL MOUNTED
ADJUSTABLE FORKS
ITA CARRIAGE BARS
HIGH CAPACITY CARRIAGES**



ADAPTOR CARRIAGE SPECIFICATIONS

MODEL# WIDTH WEIGHT LLC HCG VCG

ITA CLASS II to ITA CLASS II, Capacity 5,000 pounds

FC-A-42	42.0	176	2.4	1.5	8.7
FC-A-48	48.0	194	2.9	1.5	8.6
FC-A-54	54.0	214	2.9	1.6	8.5
FC-A-60	60.0	316	2.9	1.9	8.3
FC-A-66	66.0	344	2.9	1.9	8.3
FC-A-72	72.0	372	2.9	1.9	8.3
FC-A-80	80.0	591	3.1	2.0	8.2
FC-A-86	86.0	632	3.1	2.0	8.2
FC-A-90	90.0	660	3.1	2.1	8.2
FC-A-96	96.0	702	3.1	2.1	8.1
FC-A-102	102.0	744	3.1	2.1	8.1
FC-A-108	108.0	786	3.1	2.2	8.1
FC-A-114	114.0	828	3.1	2.2	8.1
FC-A-120	120.0	870	3.1	2.2	8.0
FC-A-126	126.0	912	3.1	2.3	8.0
FC-A-132	132.0	954	3.1	2.3	8.0
FC-A-133	138.0	996	3.1	2.3	7.9
FC-A-144	144.0	1038	3.1	2.3	7.9

QUICK CHANGE LOWER HOOKS AVAILABLE

CLASS III to ITA CLASS III, Capacity 10,000 pounds

FC-B-54	54.0	399	3.1	2.0	10.4
FC-B-60	60.0	438	3.1	2.0	10.4
FC-B-66	66.0	476	3.1	2.0	10.4
FC-B-72	72.0	514	3.1	2.0	10.3
FC-B-80	80.0	565	3.1	2.0	10.3
FC-B-86	86.0	604	3.1	2.0	10.3
FC-B-90	90.0	533	3.1	2.0	10.3
FC-B-96	96.0	566	3.1	2.0	10.3
FC-B-102	102.0	602	3.1	2.0	10.2
FC-B-108	108.0	638	3.1	2.0	10.2
FC-B-114	114.0	674	3.1	2.0	10.2
FC-B-120	121.0	710	3.1	2.0	10.1
FC-B-126	126.0	746	3.1	2.0	10.1
FC-B-132	132.0	782	3.1	2.0	10.1
FC-B-138	138.0	818	3.1	2.0	10.0
FC-B-144	144.0	854	3.1	2.0	10.0

QUICK CHANGE LOWER HOOKS AVAILABLE

CALL FOR ITA CLASS IV SPECIFICATIONS.

