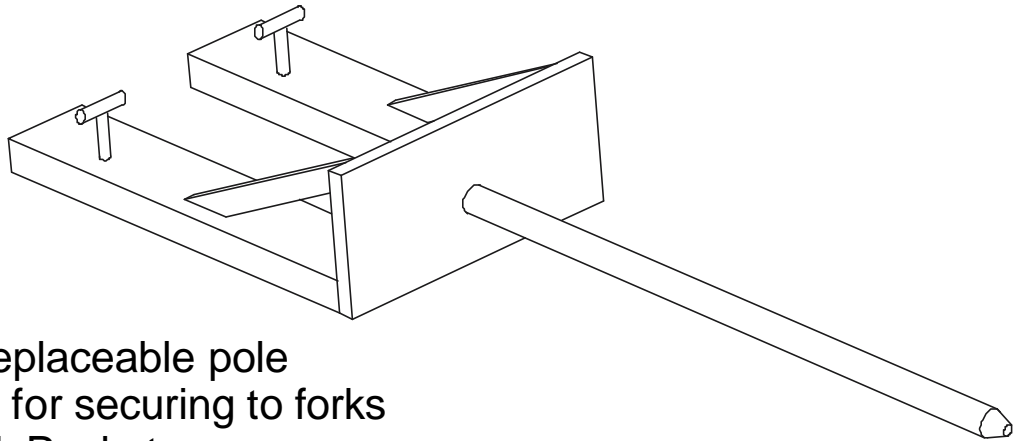




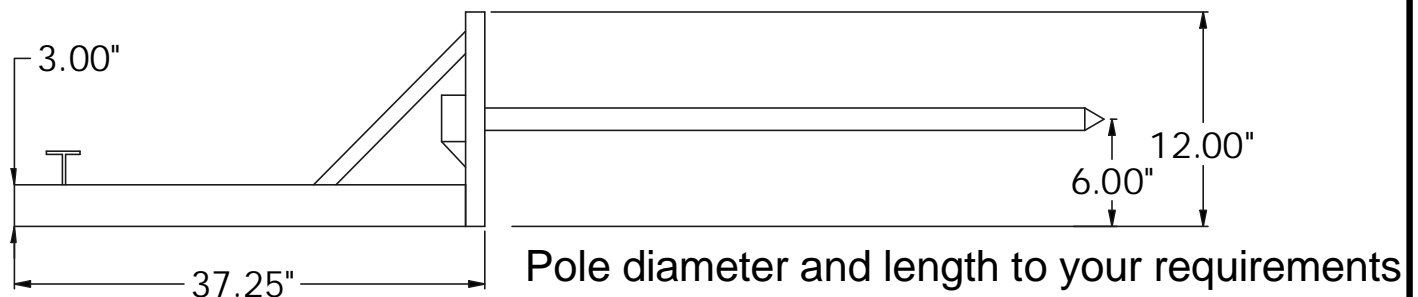
FORK MOUNT RAM POLES

Superior Engineering's Fork Mounted Ram Poles offer a solution to quick mounting and removal requirements. Manufactured of the highest quality steel and workmanship, these rams perform under constant usage. The fork pockets will accommodate forks up to 5.0" wide and 2.0" thick. Each fork pocket has a T-handle screw lock for securing the ram to forks. Standard diameters from 1.5" to 3.5" and lengths from 12.0" to 156.0" are available. Special sizes are available upon request. Refer to specification sheet for L.L.C, H.C.G., V.C.G., Weights and capacities.

FEATURES



- Rotatable and replaceable pole
- T-handle screw locks for securing to forks
- Large Fork Pockets
- Tapered to ease entry into core



SUPERIOR ENGINEERING, PO BOX 547, BELTON, SC 29627
TEL (864) 226-8799 OR 1-800-359-3052 FAX (864)231-6718
WEBSITE ADDRESS: WWW.SUPERIORENG.COM