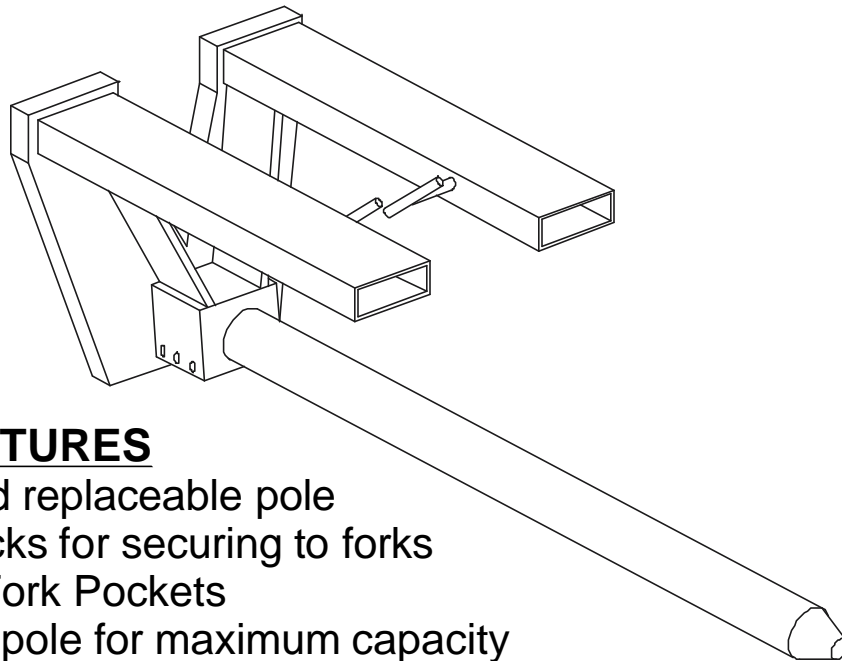




INVERTED FORK MOUNT RAM POLES

Superior Engineering's Inverted Fork Mount Ram pole allows your lift truck to have more capacity than standard ram poles. These poles are manufactured to your requirements.



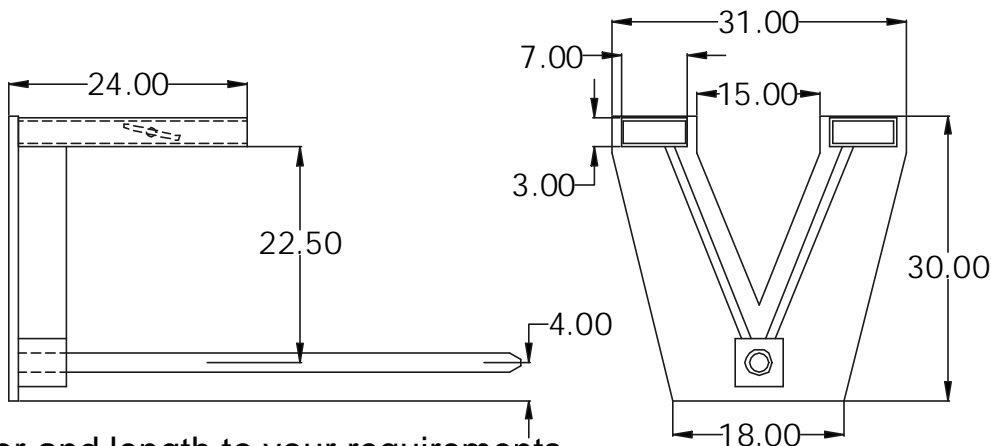
FEATURES

Rotatable and replaceable pole

T-handle screw locks for securing to forks

Large Fork Pockets

Tapered , heat treated pole for maximum capacity



Pole diameter and length to your requirements

SUPERIOR ENGINEERING, PO BOX 547, BELTON, SC 29627
TEL (864) 226-8799 OR 1-800-359-3052 FAX (864)231-6718
WEBSITE ADDRESS: WWW.SUPERIORENG.COM