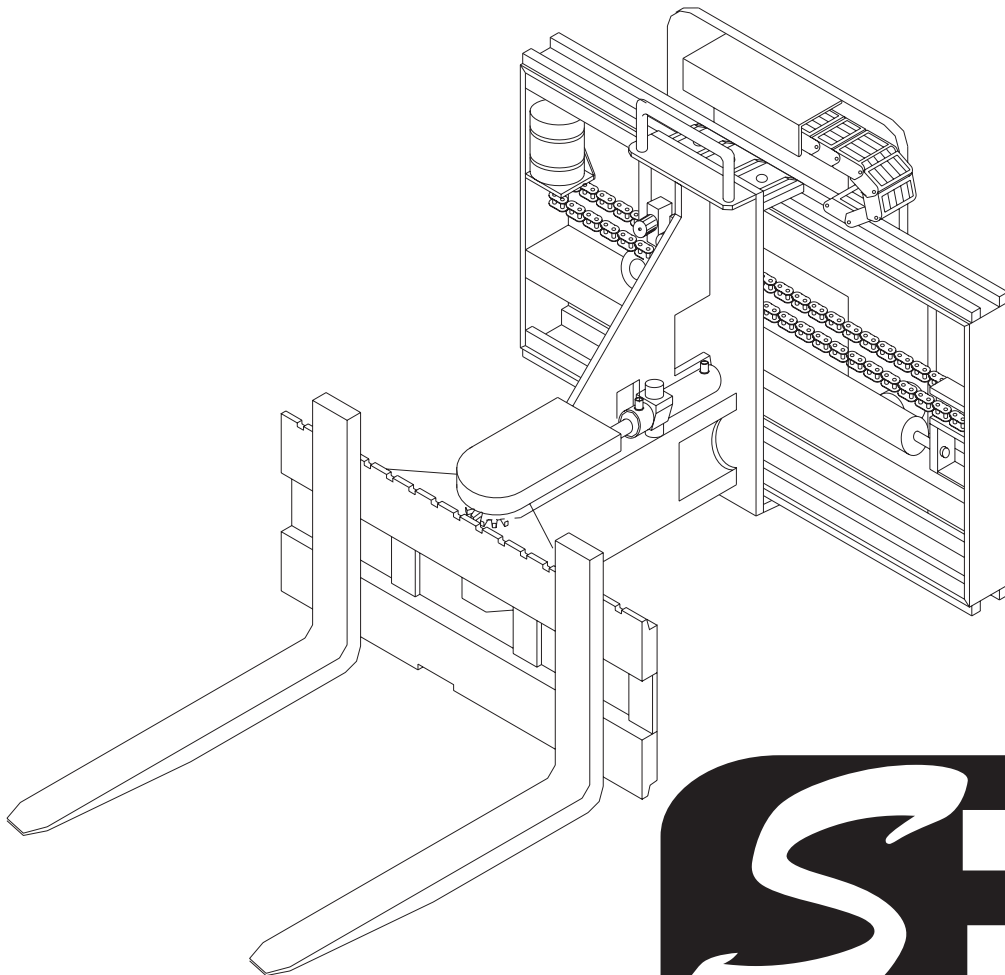


**PARTS AND SERVICE MANUAL**

**SUPERIOR ENGINEERING GEN-2**

**TURRET MASTER**

**ATTACHMENT**



**SE INC.**

**SUPERIOR ENGINEERING  
PO BOX 547 BELTON, SC 29627**

**1-864-226-8799**

**WWW.SUPERIORENG.COM**