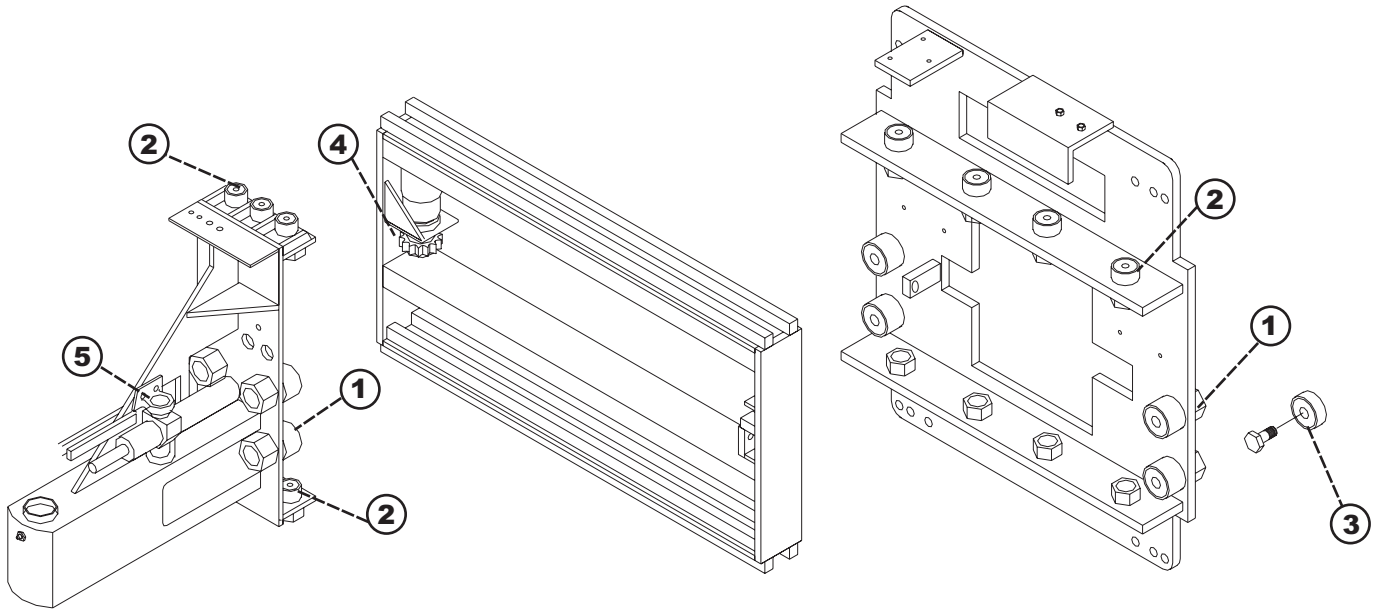


# TORQUE SPECIFICATIONS



<b><u>REF. NO.</u></b>	<b><u>QUANTITY</u></b>	<b><u>DESCRIPTION</u></b>	<b><u>TORQUE</u></b>
1	8	MAIN LOAD BEARINGS	425 FT/LBS
2	14	ROLLER BEARINGS	235 FT/LBS
3	4	THRUST BEARING STUD	55 FT LBS
4	4	MOTOR BOLTS	45 FT/LBS
5	2	PIVOT CYL. MOUNT BOLTS	50 FT/LBS

**USE LOCKTITE 242 ON ALL THREADS**