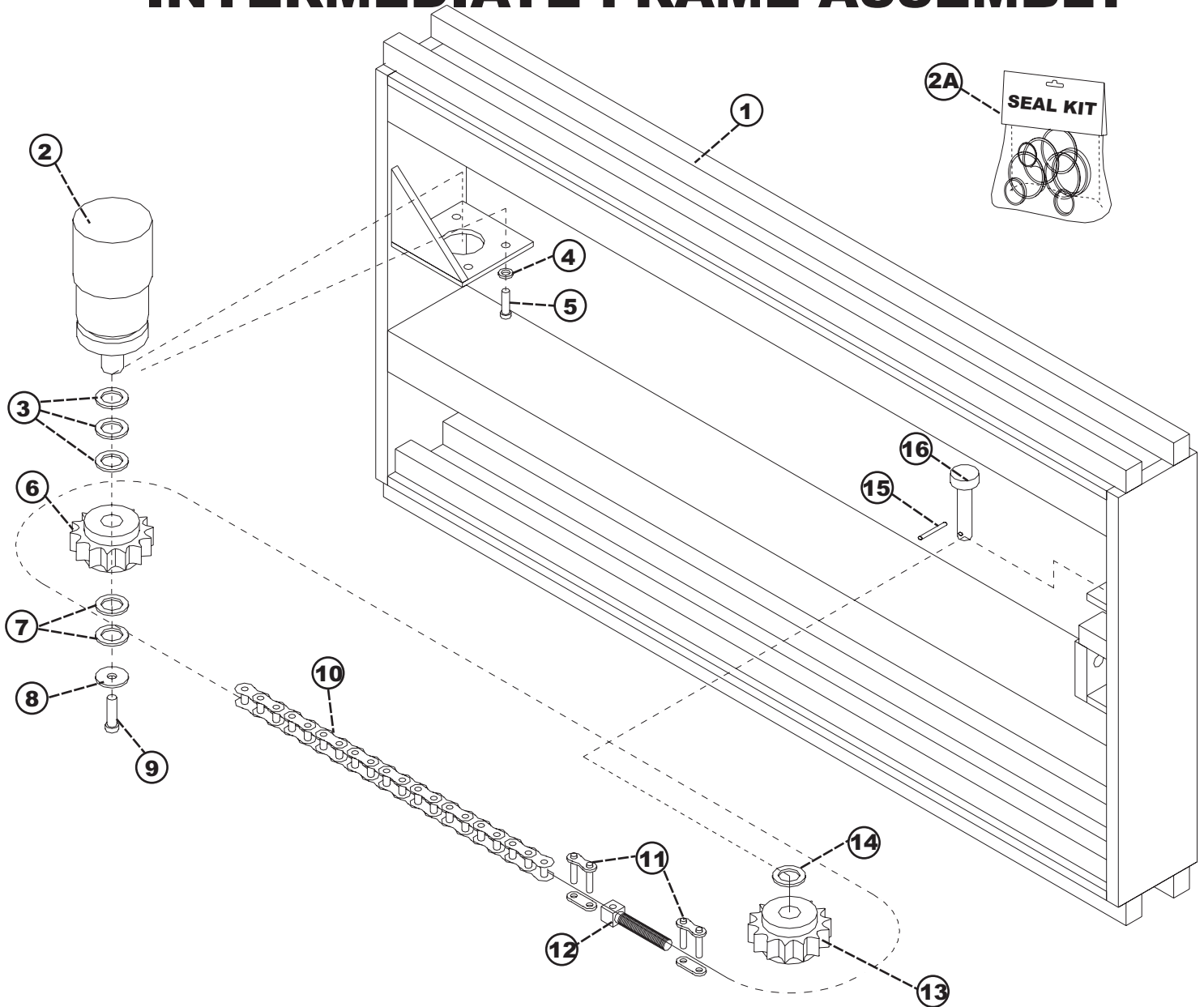


INTERMEDIATE FRAME ASSEMBLY



REFERENCE	QTY REQ'D	PART #	DESCRIPTION
1	1	*8201	*INTERMEDIATE FRAME - 48" STROKE
2	1	306399C	DRIVE MOTOR
2A	1	SE1000B	DRIVE MOTOR SEAL KIT
3	1	SE1002	TRUST BEARING KIT
4	4	91134	WASHER
5	4	9113	MOTOR RETAINMENT BOLT
6	1	8376A	DRIVE SPROCKET
7	2	91131	WASHER
8	1	91132	WASHER
9	1	91133	BOLT
10	1	**8386	**DRIVE CHAIN FOR 48" STROKE UNITS
11	2	60M	MASTER LINKS
12	1	8385	CHAIN ADJUSTER
13	1	8501	IDLER SPROCKET
14	1	83862	SPACER
15	1	8384	ROLL PIN
16	1	8381	IDLER SPROCKET PIN

*FOR INTERMEDIATE FRAME WELDMENT WITH 42, 54 OR 60" OF STROKE, ADD -42, -54 OR -60 TO THE END OF THE PART# 8201 RESPECTIVELY.

**DRIVE CHAINS FOR UNITS WITH 42, 54 OR 60" OF STROKE, ADD -42, -54 OR -60 TO THE END OF THE PART# 8386 RESPECTIVELY.