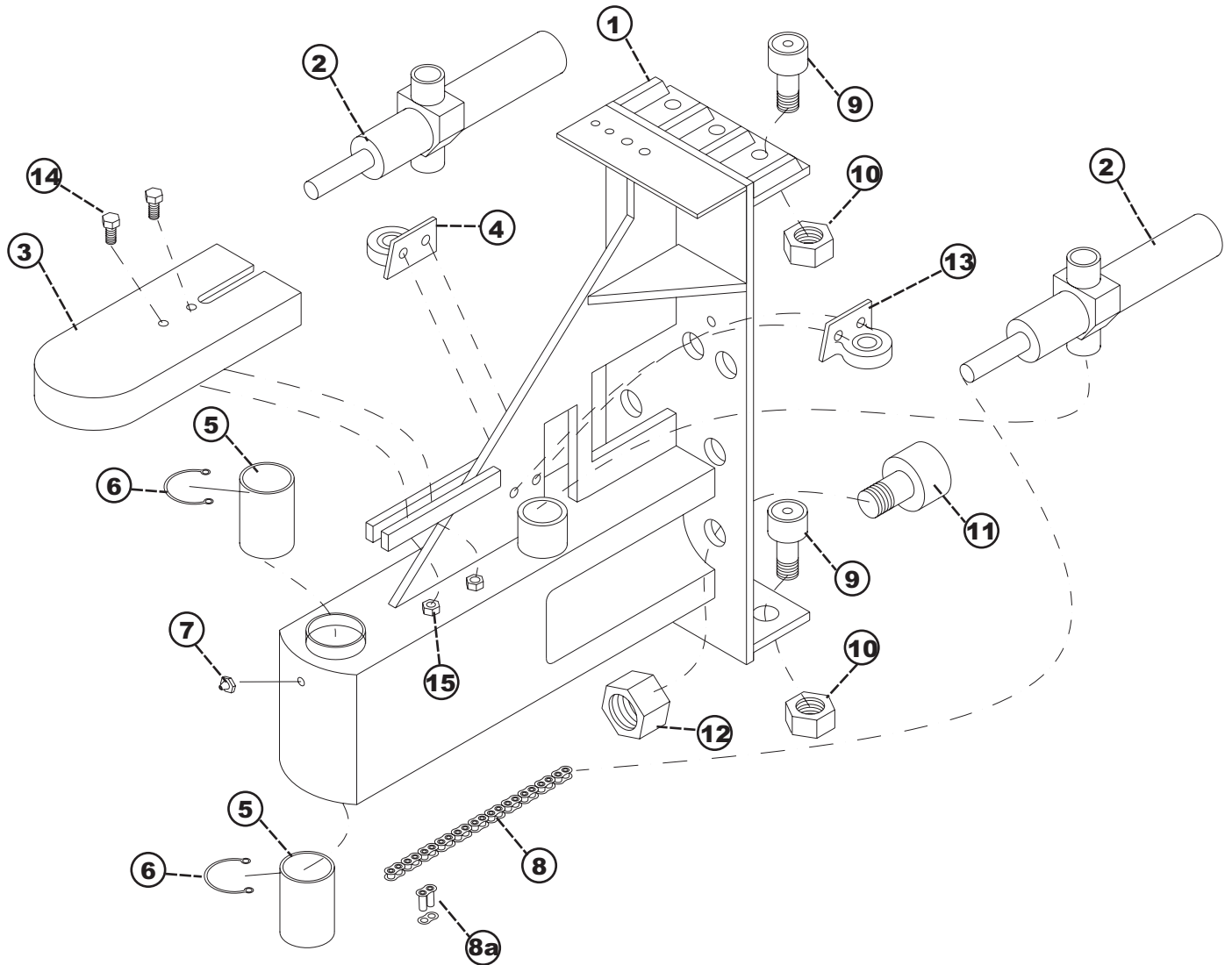


PIVOT BOOM ASSEMBLY



REFERENCE	QTY REQ'D	PART #	DESCRIPTION
1	1	8202A	PIVOT BOOM WELDMENT
2	2	8326	PIVOT CYLINDER SEE PIVOT CYLINDER PAGE FOR DETAILS
3	1	8380	PIVOT CHAIN GUARD
4	1	8353	RIGHT PIVOT CYLINDER MOUNT
5	2	8394	BUSHING
6	2	9103	SNAP RING
7	1	8393	GREASE FITTING
8	1	8351	PIVOT CHAIN
8a	2	8352	MASTER LINK W/ 2 SIDEPLATES
9	6	8357	ROLLER BEARING
10	6	9105	ROLLER BEARING NUT
11	4	8355	LOAD BEARING
12	4	9104	LOAD BEARING NUT
13	1	8354	LEFT PIVOT CYLINDER MOUNT
14	2	001019	BOLT
15	2	9106	NUT