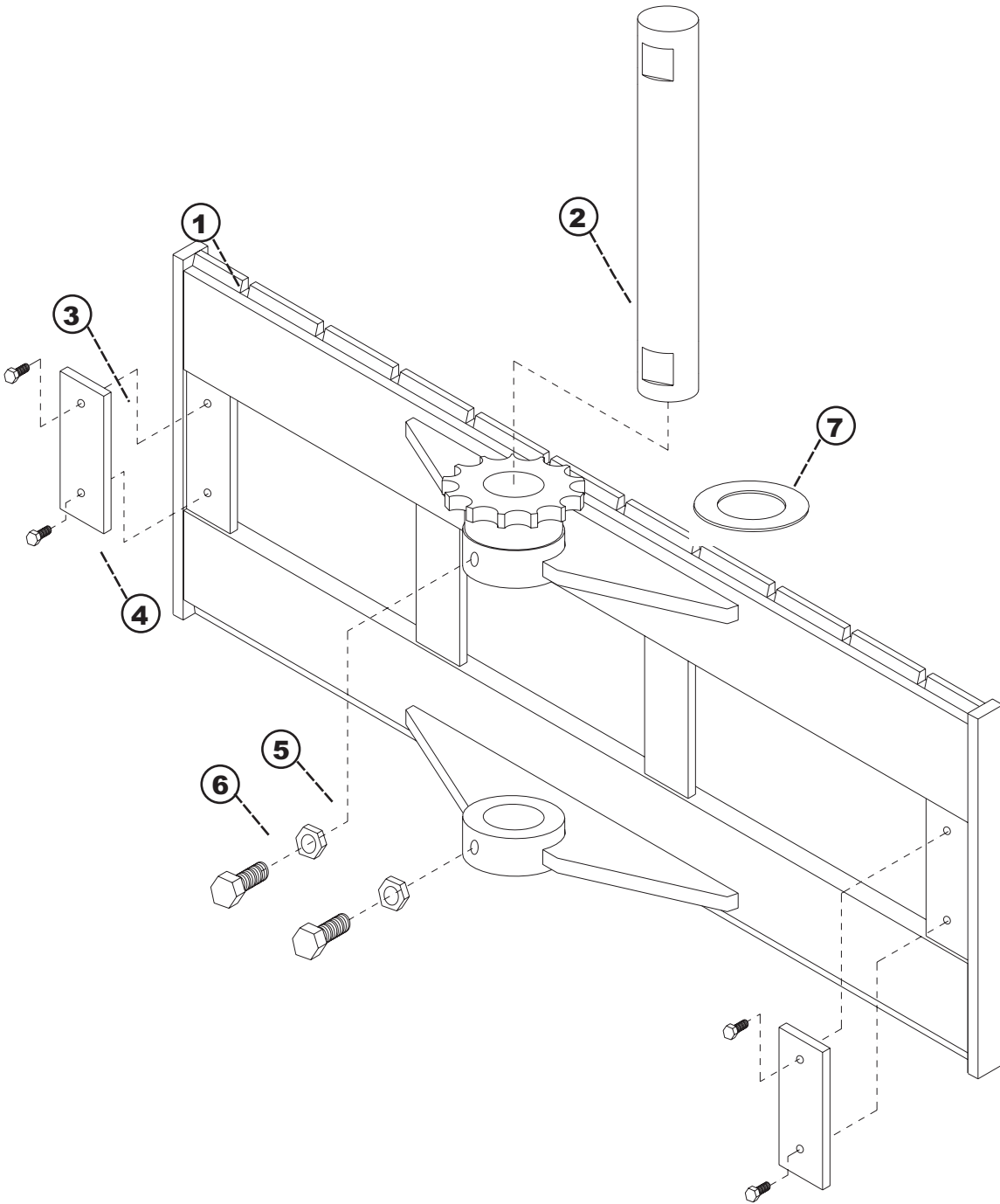


CARRIAGE ASSEMBLY



REFERENCE	QTY REQ'D	PART #	DESCRIPTION
1	1	8206A	CARRIAGE WELDMENT - GEN2
2	1	8382	PIVOT SHAFT
3	2	8374	UHMW STOP BLOCK
4	4	9108	FASTNER
5	2	9102	JAM NUT
6	2	9101	MODIFIED FASTNER
7	1	001056	SPACER