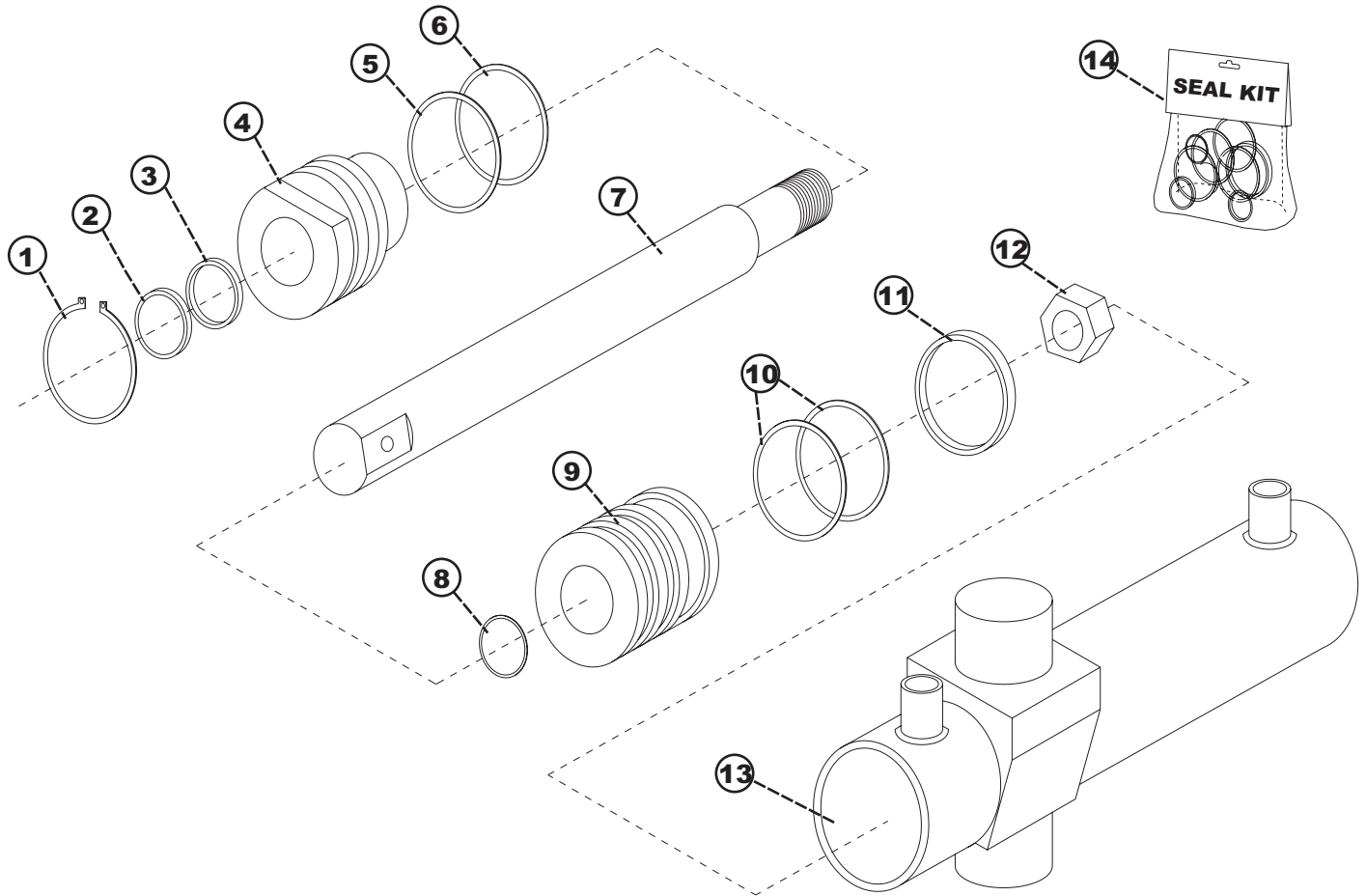


PIVOT CYLINDER ASSEMBLY



COMPLETE ASSEMBLY PART NUMBER 8326

REFERENCE	QTY REQ'D	PART #	DESCRIPTION
1	1	51399	SNAP RING
2	1	*51338	ROD WIPER
3	1	*51337	ROD SEAL
4	1	51390	HEAD
5	1	*51398	BACK-UP RING
6	1	*51397	O-RING
7	1	51368	CYLINDER ROD
8	1	*51396	O-RING
9	1	51389	PISTON
10	2	*51395	PISTON SEALS
11	1	*51394	WEAR BAND
12	1	51391	ROD NUT
13	1	51385	CYLINDER BODY
14	1	8326SK	CYLINDER SEAL KIT