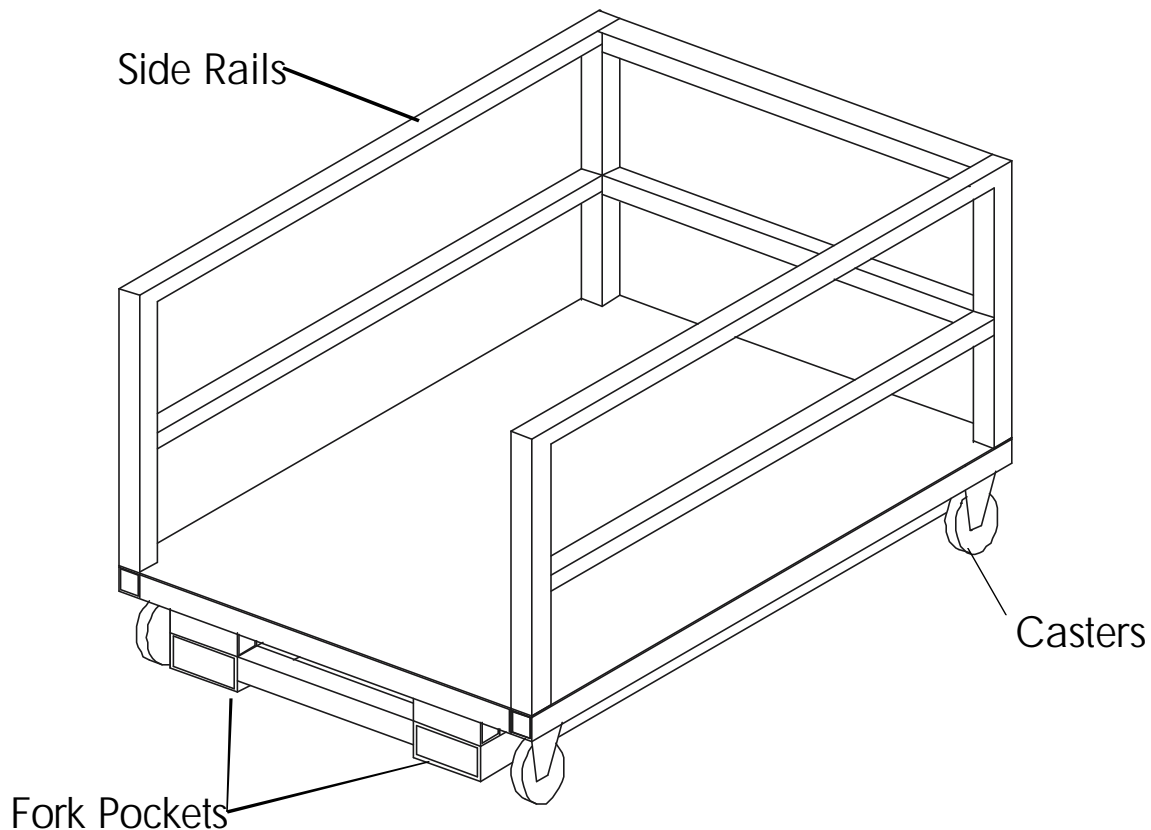




# WORK PLATFORMS

Superior Engineering work platforms are constructed from steel or aluminum. The work platform has a variety of options to choose from. You may choose a platform with or without side rails, casters, overhead guard, or load backrest. The platform decking is diamond deck plating or smooth and a variety of widths and lengths are available. Platform retainment types are bolt-on, pallet-grab and chain retainment. Work platforms can be specially engineered to meet your needs. Please contact Superior Engineering for any special request you may have.



**SUPERIOR ENGINEERING, PO BOX 547, BELTON, SC 29627**  
**TEL (864) 226-8799 OR 1-800-359-3052 FAX (864)231-6718**  
**WEBSITE ADDRESS: WWW.SUPERIORENG.COM**