

# Fork Extension Worksheet



What is your existing fork size?

Length	xWidth	xThickness

Fork Extensions can only extend go 1.5 times the length of the existing fork  
 To ascertain the maximum length allowed, you take your fork length and multiply by 1.5.

**Ex.** - Existing fork length is 48" long -  $48 \times 1.5 = 72$

You can only go 72" long

## We make 3 different styles

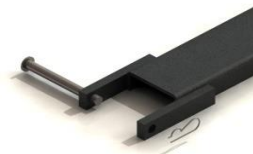
	Standard - Medium Duty Usage, covers top and side of the fork
	Heavy Duty - Heavier Useage, 25% more capacity
	Boxed - Fully enclosed all around the fork, 50% more capacity

There are 2 retainment methods

Standard Strap

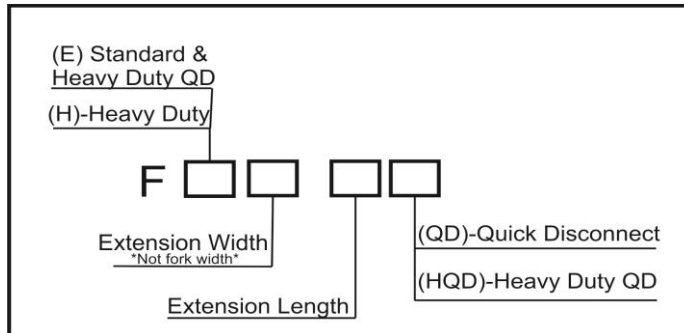


Quick Disconnect

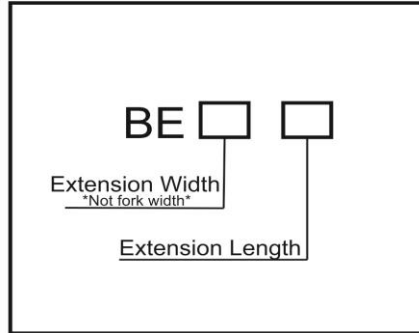


(all Box extensions are QD)

## Fork Extension Nomenclature



## Box Extension Nomenclature



Customer/Dealer Name
Contact Name
Contact Number
Contact E-mail