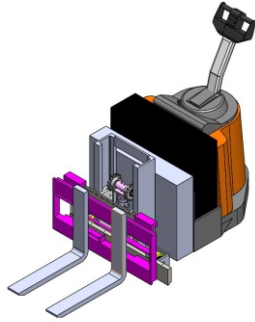


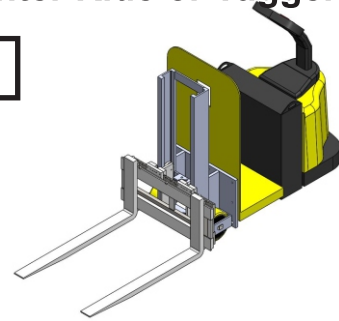
MINI-MAST WORKSHEET

End Control Walkie or Rider



OR

Center Ride or Tugger



Advantage: Shorter in length and tighter turning radius.

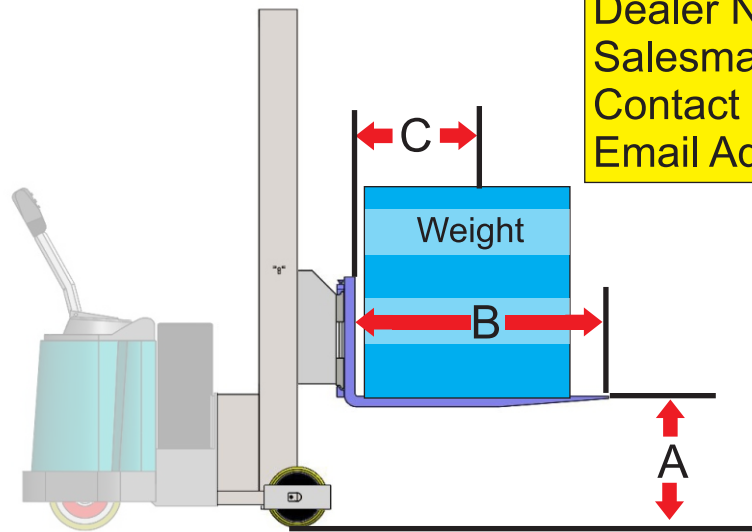
Disadvantage: Lower Capacity than a center rider or tugger. (if baselegs not used)

Hydraulics: Depending upon lift height and capacity, we may be able to utilize the existing hydraulic power unit on the truck to power the lift and lower of the mast.

Advantage: Retains more capacity than walkies or end riders when not utilizing baselegs. Easier long distance hauls.

Disadvantage: Longer wheel base makes tight areas sometimes difficult.

Hydraulics: Depending upon lift height and capacity, we may be able to utilize the existing hydraulic power unit on the truck to power the lift and lower of the mast. If you use a tugger then an auxiliary hydraulic power unit is required.



Dealer Name:	
Salesman Name	
Contact Number	
Email Address	

A- Max Lift Height

B - Fork Size(T x W x L)

C - Load Center (half of the load length)

Weight - Load Max Weight

Do you require Side-Shift? YES NO

Do you require Fork Positioning? YES NO

Would you require an attachment other than forks? Ram Pole Coil Ram Clamp Other _____

Are you using this unit on a flat surface or going over dock boards or rough surface? _____
 Larger load wheel sizes will make transitions easier over dock boards. Standard sizes are 4 x 6, large sizes are 4 x 10.

Are baselegs acceptable to be used in the application? YES NO

Clearance on both sides of the load is required as well as under-clearance under racking or load placement positions.

Special Notes: