

# FORK EXTENSIONS

Dealer Name: \_\_\_\_\_

Salesman: \_\_\_\_\_

Phone#: \_\_\_\_\_

Fax#: \_\_\_\_\_

Existing Fork Length  Fork Width

Requested Extension Length

Extension Length not to exceed 1.5 times the length of the existing fork.

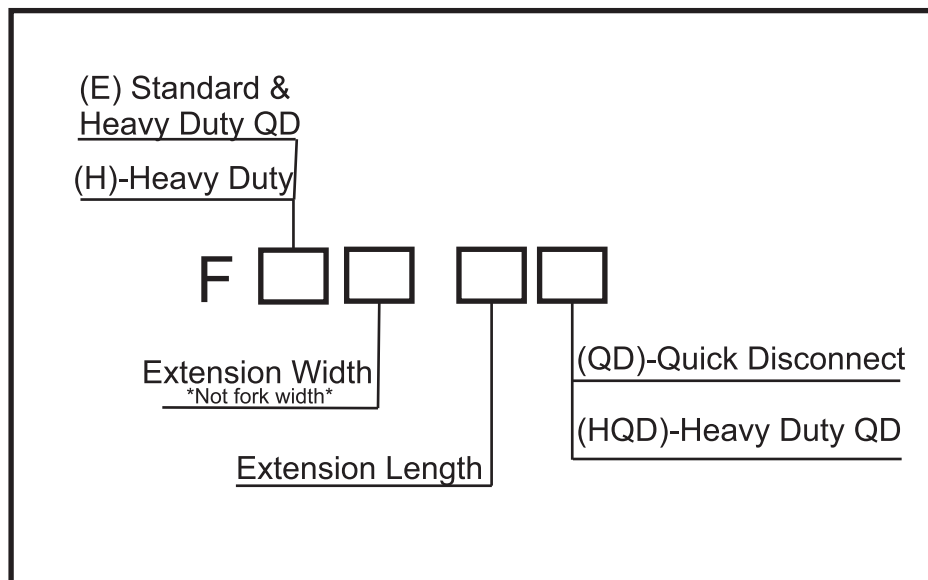
Standard Extension

Quick Disconnect

Heavy Duty

Box Type

## Extension Nomenclature



If the requested Extension is to fit a 4" wide fork that is 48" long and you want the extension to be 72" long, Heavy Duty, with Quick Disconnects, then the model Number will be: FE5072HQD

Box Extensions do not have suffixes. The Nomenclature of the Box extension includes BE as the prefix and the width of the extension and the Length of the extension. For example, a box extension to fit a 4" wide fork, 48" long, the model number will be Be5072.