

A-Frame - Tugger Worksheet

LOAD INFORMATION Maximum Load Weight - _____ pounds

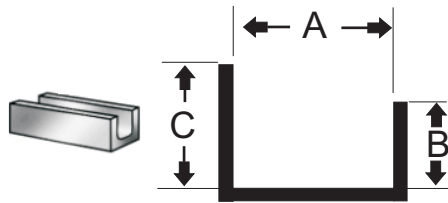
LOAD TYPE - CIRCLE ONE Cart - Trailer - A-Frame - Other _____

Ball Hitch



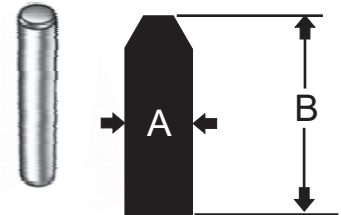
BALL DIAMETER

Channel Hitch



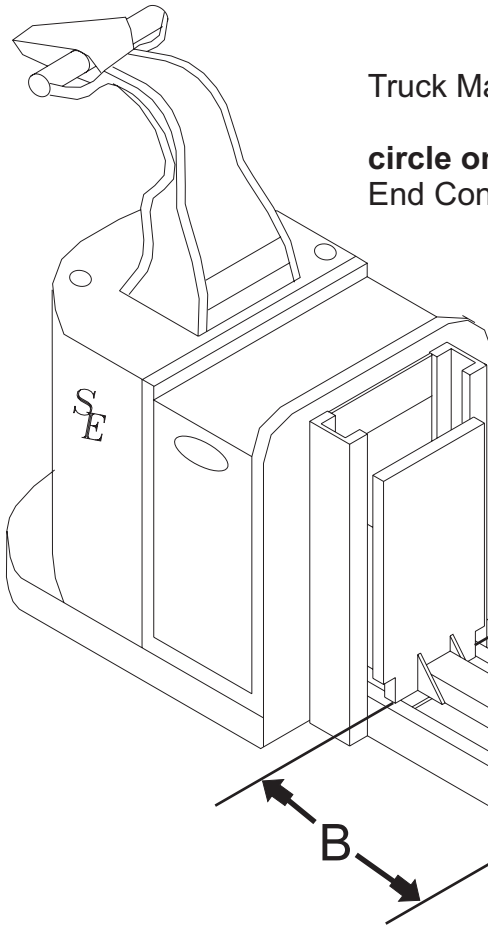
A- _____
B- _____
C- _____
WIDTH- _____

Pin Hitch



A- _____
B- _____

SPECIAL INFORMATION



Truck Make/Model _____

circle one
End Control - Center Control - Tugger - Other

_____ A-HITCH CENTER
_____ B-LOAD WHEEL CENTER
_____ C-LOWERED HEIGHT
_____ D-RAISED HEIGHT

Dealer _____ Salesman _____

Phone _____ e-mail _____