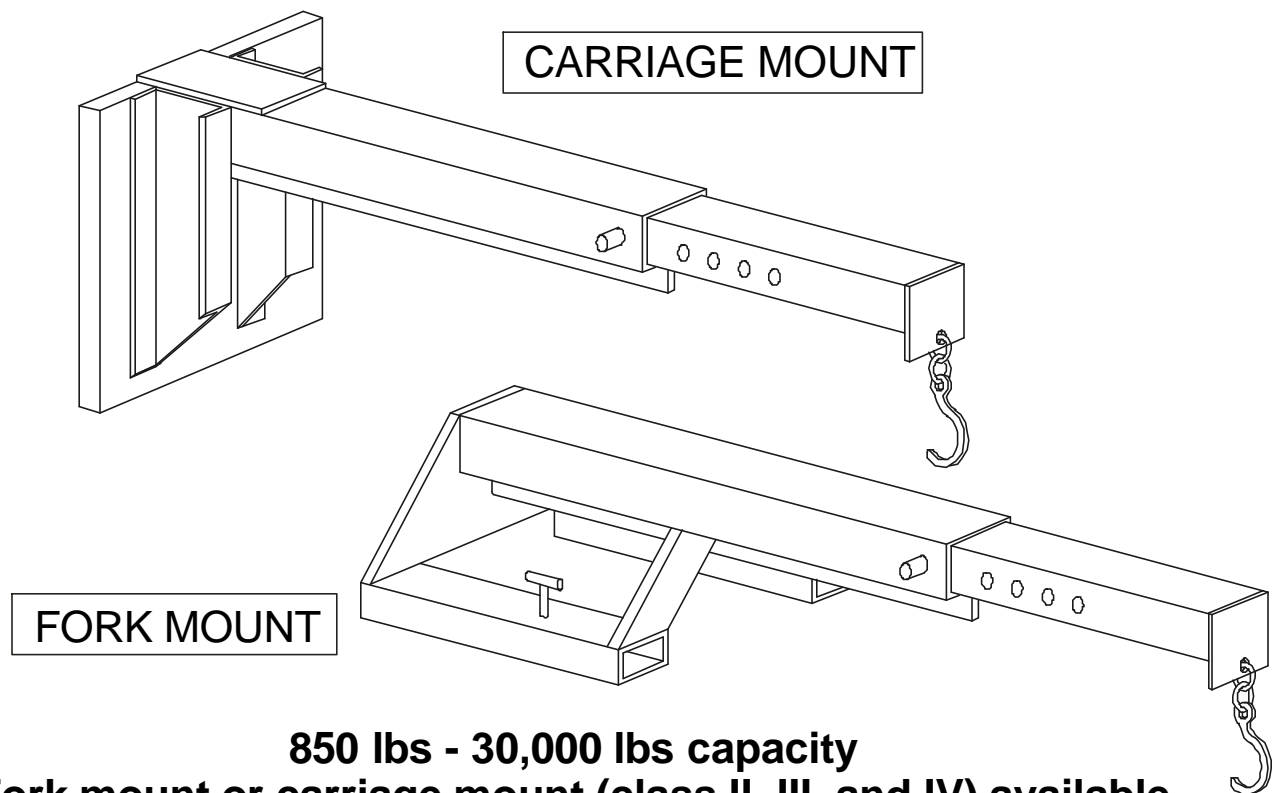




HEAVY DUTY TELESCOPING BOOM

The Heavy Duty Telescoping Boom manufactured by Superior Engineering is designed especially for handling heavy loads that cannot be readily palletized. The boom can be fastened securely to forks or carriage mounted. The extension feature is useful for reaching over stacks of material or carrying long loads such as pipes or beams



850 lbs - 30,000 lbs capacity
Fork mount or carriage mount (class II, III, and IV) available
Heavy duty construction
Swivel hook and clevis included
Large choice of ranges
Contact factory for optional models

SUPERIOR ENGINEERING, PO BOX 547, BELTON, SC 29627
TEL (864) 226-8799 OR 1-800-359-3052 FAX (864)231-6718
WEBSITE ADDRESS: WWW.SUPERIORENG.COM