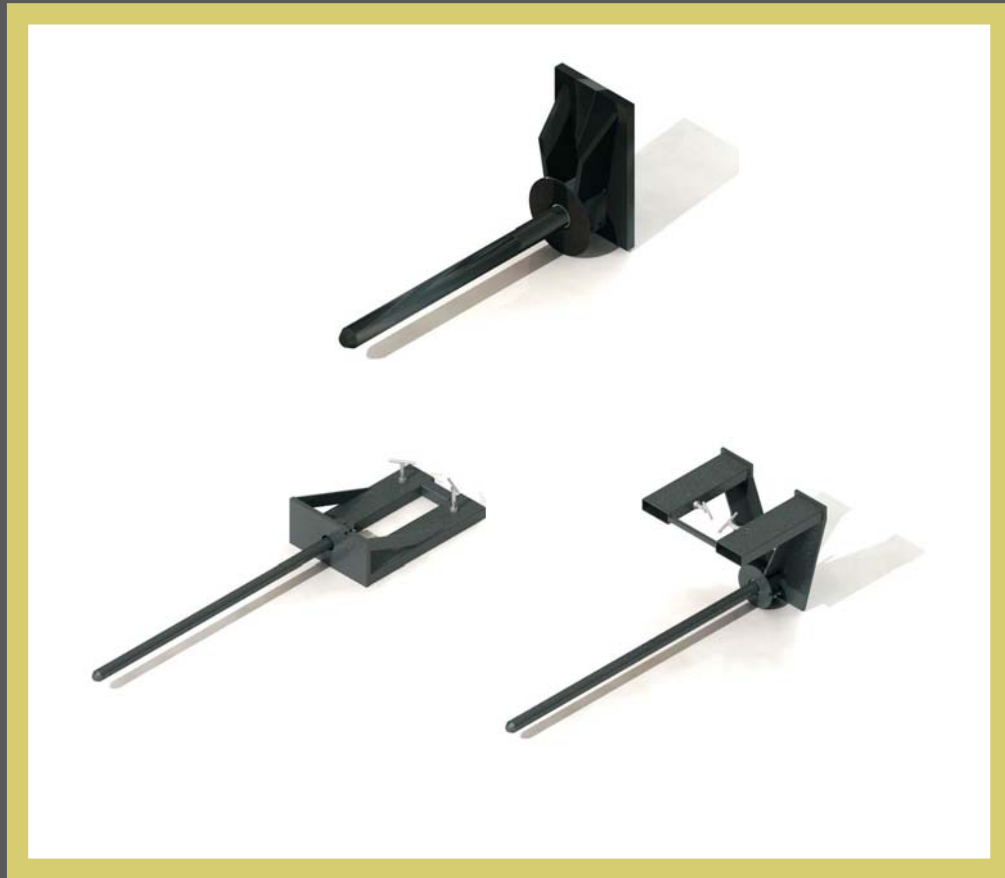


RAM POLES BROCHURE



**SE SUPERIOR
ENGINEERING**
WWW.SUPERIORENG.COM

RAM POLES



CLASS II ITA

CLASS III ITA

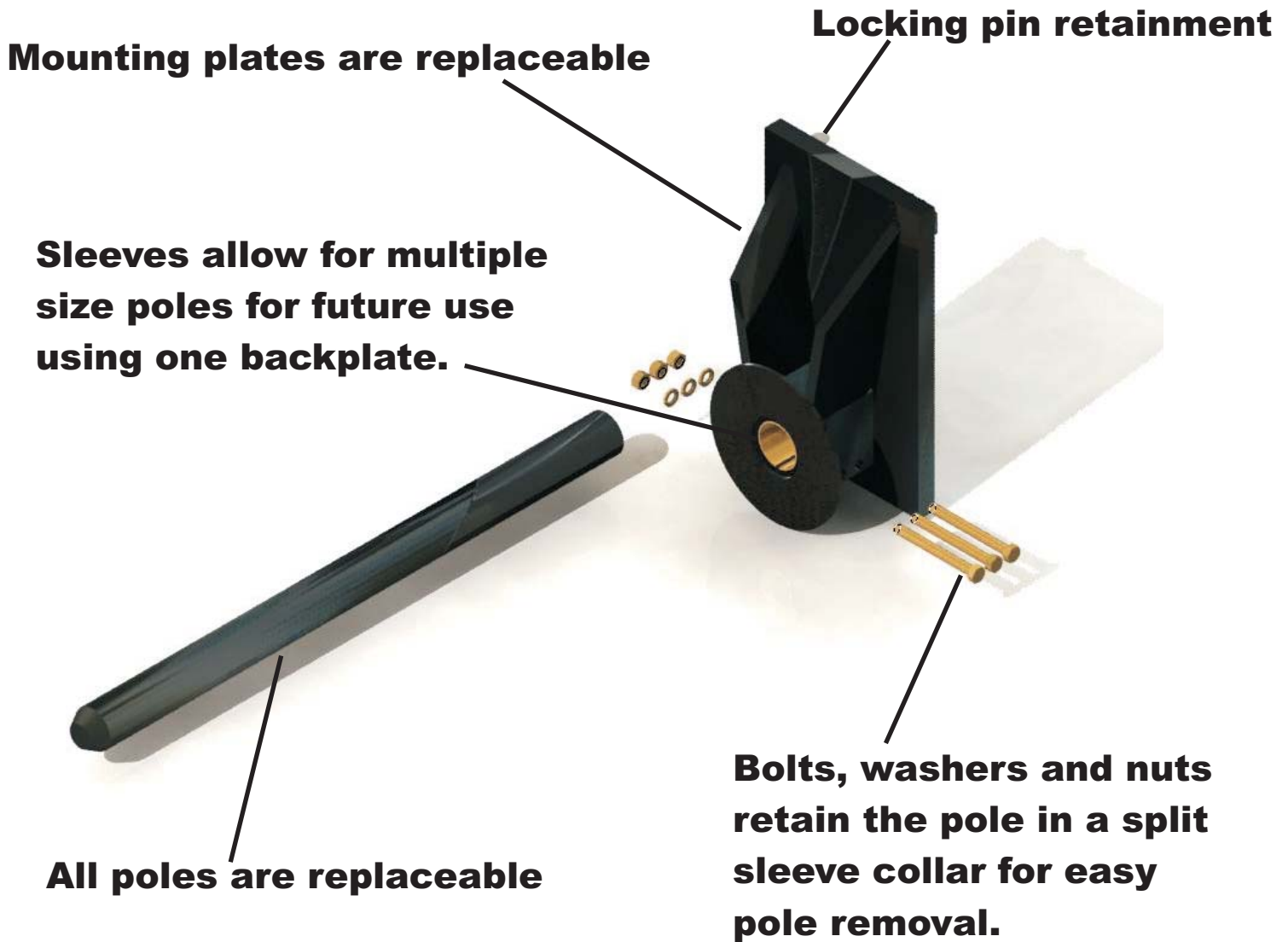


FORK MOUNTED



INVERTED FORK MOUNTED

RAM POLES

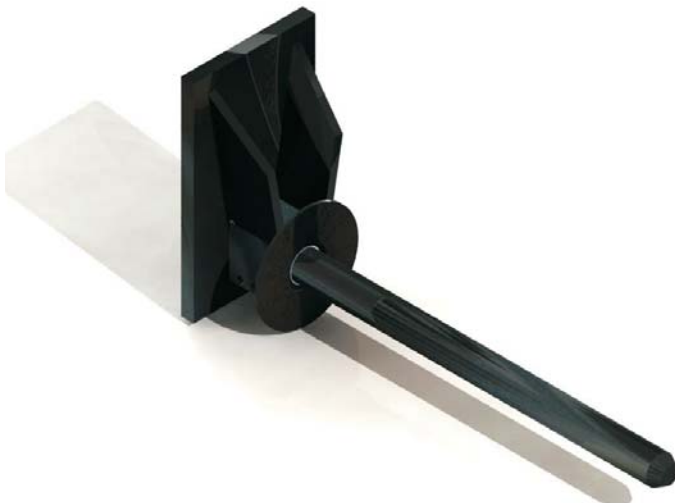
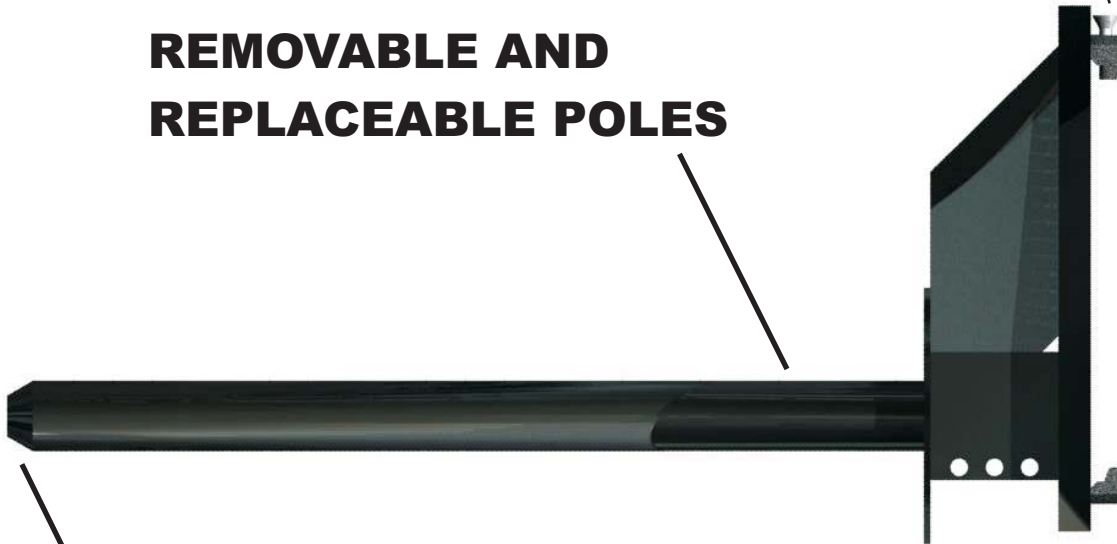


CARRIAGE MOUNT RAM POLES

**FITS ITA CLASS II & III
CARRIAGES**

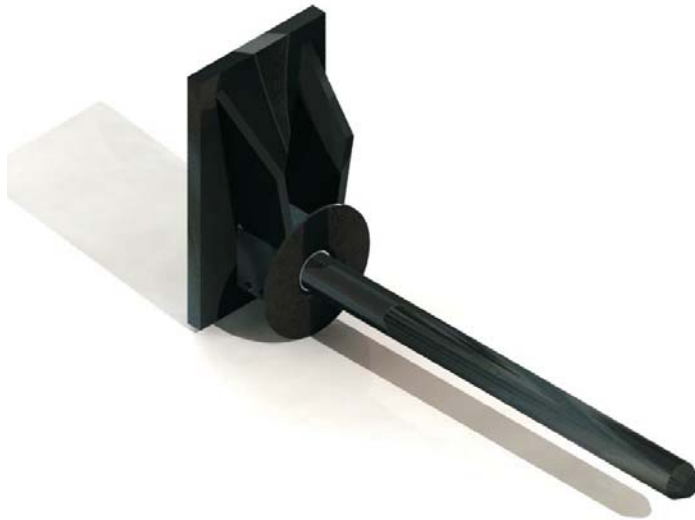
**REMOVABLE AND
REPLACEABLE POLES**

SHORT TORCH TAPER



RAM POLES

Superior Engineering's carriage mounted ram poles offers a solution to roll handling requirements. Manufactured of the highest quality steel and workmanship, these rams perform under constant usage. The I.T.A. mountings are available in Class II, III, IV. A locking pin is used for securing the ram to the carriage. Standard diameters from 1.5" to 3.5" and lengths from 12" to 156" are available. Special sizes are available upon request. Refer to the Specification Sheet for L.L.C, H.C.G., V.C.G., weights and capacities.

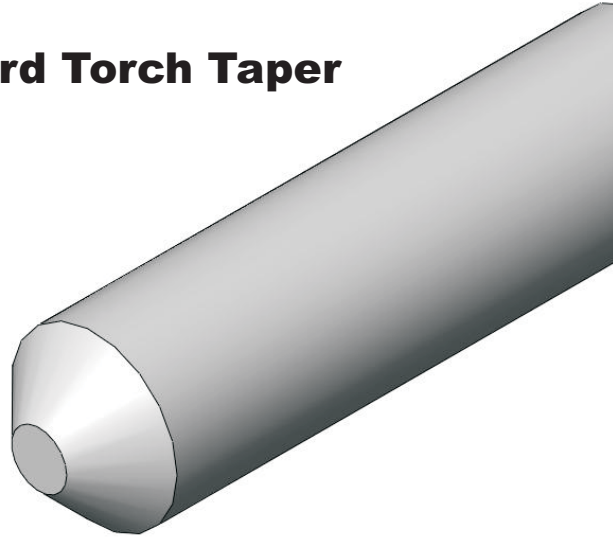


FEATURES

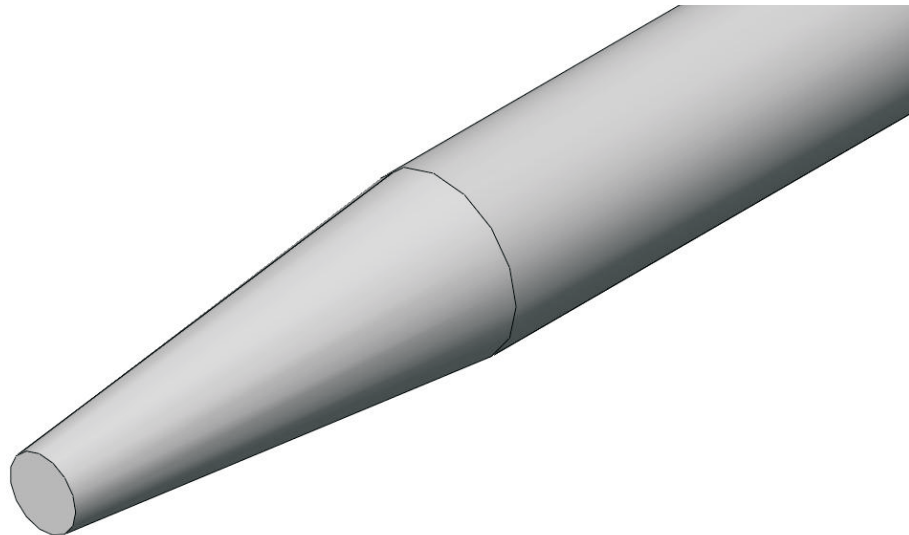
- Rotatable and replaceable pole
- Locking pin to secure to carriage
- No tool needed for installation
- Tapered to ease entry into core

TAPER OPTIONS

Standard Torch Taper



Machine Taper to $\frac{1}{2}$ the diameter of the pole.



RAM POLE SPECIFICATIONS

**ALL POLES UP TO 3" IN DIAMETER HAVE LLC OF 6.5"
POLES 3.5" IN DIAMETER HAVE LLC OF 7.5"**

RAM POLE CLASS II

COMPLETE ASSEMBLIES

MODEL NO. LENGTH WGT HCG VCG CAPACITY

RAM POLES 1 - 1/2" DIAMETER

RP1.548A	48"	166#	6.0"	9.3"	550#
RP1.560A	60"	172#	8.0"	9.2"	500#

RAM POLES 1 -3/4" DIAMETER

RP1.7548A	48"	176#	7.3"	9.1"	675#
RP1.7560A	60"	184#	9.6"	8.9"	540#
RP1.7572A	72"	192#	12.5"	8.8"	450#

RAM POLES 2" DIAMETER

RP2.48A	48"	183#	9.0"	9.0"	1350#
RP2.60A	60"	193#	11.8"	8.8"	1080#
RP2.72A	72"	200#	15.3"	8.6"	900#
RP2.84A	84"	219#	17.7"	8.5"	790#
RP2.96A	96"	229#	22.2"	8.4"	675#
RP2.108	108"	240#	26.2"	8.3"	600#
RP2.120A	120"	250#	30.4"	8.2"	540#
RP2.144A	144"	272#	39.0"	8.0"	450#

RAM POLES 2 - 1/2" DIAMETER

RP2.548A	48"	213#	11.4"	8.5"	4050#
RP2.560A	60"	229#	15.2"	8.4"	3240#
RP2.572A	72"	246#	19.3"	8.2"	2700#
RP2.584A	84"	262#	22.7"	8.1"	2370#
RP2.596A	96"	279#	28.2"	8.0"	2025#
RP2.5108A	108"	296#	32.9"	7.8"	1800#
RP2.5120A	120"	313#	37.6"	7.8"	1620#
RP2.5144A	144"	346#	47.7"	7.6"	1350#

RAM POLE 2 3/4: DIAMETER

RP2.7548A	48"	228#	12.9"	8.4"	5400#
RP2.7560A	60"	248#	16.8"	8.2"	4320#
RP2.7572A	72"	270#	21.3"	8.0"	3600#
RP2.7584A	84"	288#	26.9"	7.9"	3160#
RP2.7596A	96"	308#	30.7"	8.0"	2700#
RP2.75108A	108"	328#	35.7"	7.7"	2508#
RP2.75120A	120"	349#	40.7"	7.6"	2200#
RP2.75126A	126"	359#	43.3"	7.5"	2150#
RP2.75144A	144"	389#	51.2"	7.4"	1800#
RP2.75156A	156"	409#	56.0"	7.4"	1650#
RP2.75168A	168"	429#	62.0"	7.3"	1550#

RAM POLES 3" DIAMETER

RP3.48A	48"	244#	14.0"	8.3"	7050#
RP3.60A	60"	268#	18.0"	8.0"	5640#
RP3.72A	72"	292#	23.0"	7.9"	4675#
RP3.84A	84"	316#	27.5"	7.7"	4126#
RP3.96A	96"	340#	33.0"	7.6"	3525#
RP3.108A	108"	364#	37.3"	7.5"	3116#
RP3.120A	120"	388#	43.5"	7.4"	2820#
RP3.144A	144"	436#	54.4"	7.3"	2350#
RP3.156A	156"	460#	58.8"	7.2"	2169#

RAM POLES 3 - 1/2" DIAMETER

RP3.548A	48"	287#	15.6"	7.9"	9525#
RP3.560A	60"	321#	20.6"	7.7"	7620#
RP3.572A	72"	355#	25.7"	7.7"	6350#
RP3.584A	84"	388#	30.8"	7.8"	5442#
RP3.596A	96"	422#	36.4"	7.3"	4762#
RP3.5108A	108"	456#	42.0"	7.2"	4233#
RP3.5120A	120"	490#	48.5"	7.1"	3810#
RP3.5144A	144"	558#	59.8"	7.0"	3175#

RAM POLE CLASS III

COMPLETE ASSEMBLIES

MODEL NO. LENGTH WGT HCG VCG CAPACITY

RAM POLES 2 - 1/2" DIAMETER

RP2.548B	48"	230#	10.6"	9.9"	4050#
RP2.560B	60"	246#	14.2"	9.6"	3240#
RP2.572B	72"	263#	18.1"	9.4"	2700#
RP2.584B	84"	279#	21.9"	9.2"	2370#
RP2.596B	96"	296#	26.6"	9.0"	2025#
RP2.5108B	108"	313#	31.1"	8.0"	1800#
RP2.5120B	120"	330#	35.8"	8.7"	1620#
RP2.5144B	144"	363#	45.5"	8.5"	1350#

RAM POLES 2 - 3/4" DIAMETER

RP2.7548B	48"	245#	11.9"	9.7"	5400#
RP2.7560B	60"	265#	15.8"	9.4"	4320#
RP2.7572B	72"	287#	19.9"	9.1"	3600#
RP2.7584B	84"	305#	24.0"	9.0"	3160#
RP2.7596B	96"	325#	29.2"	8.8"	3160#
RP2.75108B	108"	345#	34.0"	8.6"	2700#
RP2.75120B	120"	366#	38.9"	8.5"	2508#
RP2.75126B	126"	376#	41.4"	8.4"	2200#
RP2.75144B	144"	416#	48.0"	8.0"	1800#
RP2.75156B	156"	426#	54.3"	8.1"	1650#
RP2.75168B	168"	446#	59.6"	8.0"	1550#

RAM POLES 3" DIAMETER

RP3.48B	48"	261#	13.0"	9.5"	7050#
RP3.60B	60"	285#	17.4"	9.2"	5640#
RP3.72B	72"	309#	22.0"	8.9"	4675#
RP3.84B	84"	333#	26.0"	8.7"	4126#
RP3.96B	96"	357#	32.0"	8.5"	3525#
RP3.108B	108"	381#	37.0"	8.4"	3116#
RP3.120B	120"	405#	42.0"	8.2"	2820#
RP3.144B	144"	453#	52.3"	8.0"	2350#
RP3.156B	156"	476#	57.8"	8.0"	2169#

RAM POLES 3 - 1/2" DIAMETER

RP3.548B	48"	304#	15.7"	9.0"	9525#
RP3.560B	60"	338#	20.5"	8.6"	7620#
RP3.572B	72"	372#	25.5"	8.4"	6350#
RP3.584B	84"	405#	30.0"	8.2"	5442#
RP3.596B	96"	439#	36.0"	8.0"	4762#
RP3.5108B	108"	473#	41.4"	7.9"	4233#
RP3.5120B	120"	507#	47.0"	7.8"	3810#
RP3.5144B	144"	575#	58.0"	7.6"	3175#
RP3.5156B	156"	604#	64.0"	7.2"	2930#

**SUPERIOR ENGINEERING, PO BOX 547, BELTON, SC 29627
TEL (864) 226-8799 OR 1-800-359-3052
WEBSITE ADDRESS: WWW.SUPERIORENG.COM**

FORK MOUNT RAM POLES

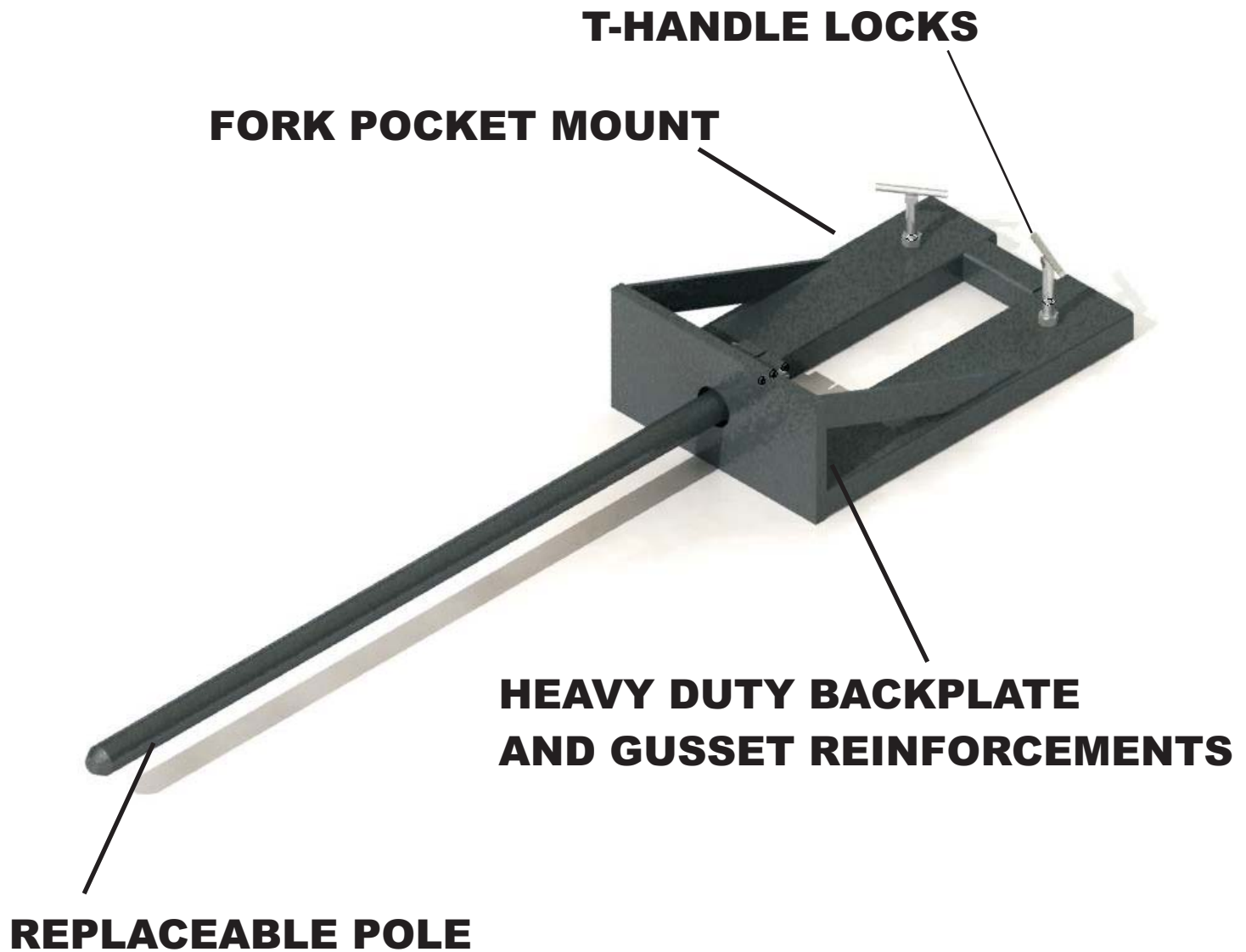
Superior Engineering's Fork Mounted Ram Poles offer a solution to quick mounting and removal requirements. Manufactured of the highest quality steel and workmanship, these rams perform under constant usage. The fork pockets will accommodate forks up to 5.0" wide and 2.0" thick. Each fork pocket has a T-handle screw lock for securing the ram to forks. Standard diameters from 1.5" to 3.5" and lengths from 12.0" to 156.0" are available. Special sizes are available upon request. Refer to specification sheet for L.L.C, H.C.G., V.C.G., Weights and capacities.



FEATURES

- Rotatable and replaceable pole
- Large Fork Pockets accepts 2.35 x 7 forks
- No tool needed for installations
- Tapered to ease entry into core

FORK MOUNT RAM POLES



FORK MOUNT RAM POLE SPECIFICATIONS

MODEL NO.	LENGTH	WEIGHT	HCG	VCG	CAPACITY
-----------	--------	--------	-----	-----	----------

FORK MOUNT - 1.50 DIA

RP1.548D	48	296	22.9	7.3	550
RP1.560D	60	302	26.2	7.2	440

FORK MOUNT - 1.75 DIA

RP1.7548D	48	306	34.8	7.2	675
RP1.7560D	60	314	39.3	7.9	540
RP1.7572D	72	322	44.3	6.8	450

FORK MOUNT - 2.00 DIA

RP2.48D	48	313	28.3	7.0	1350
RP2.60D	60	323	33.2	6.8	1080
RP2.72D	72	334	39.3	9.0	900
RP2.84D	84	348	43.9	6.5	790
RP2.96D	96	359	51.6	6.4	675
RP2.108D	108	370	58.8	6.3	600
RP2.120D	120	380	66.2	6.2	540
RP2.144D	144	402	81.6	6.0	450

FORK MOUNT - 2.50 DIA

RP2.548D	48	343	33.4	6.5	4050
RP2.560D	60	359	39.9	6.4	3240
RP2.572D	72	376	47.7	6.2	2700
RP2.584D	84	392	53.9	6.1	2370
RP2.596D	96	409	62.8	6.0	2025
RP2.5108D	108	426	72.5	6.8	1800
RP2.5120D	120	443	81.2	6.7	1620
RP2.5144D	144	446	103	6.6	1350

FORK MOUNT - 2.75 DIA

RP2.7548D	48	358	36.4	6.4	5400
RP2.7560D	60	378	43.6	6.2	4320
RP2.7572D	72	400	56.9	6.0	3600
RP2.7584D	84	418	62.0	5.9	3160
RP2.7596D	96	438	69.2	5.8	2700
RP2.75108D	108	458	78.5	5.7	2508
RP2.75120D	120	479	87.9	5.6	2200
RP2.75126D	126	489	92.7	5.5	2150
RP2.75144D	144	519	108	5.4	1800
RP2.75156D	156	538	117	5.4	1650
RP2.75168D	168	559	128	5.3	1550

FORK MOUNT - 3.00 DIA

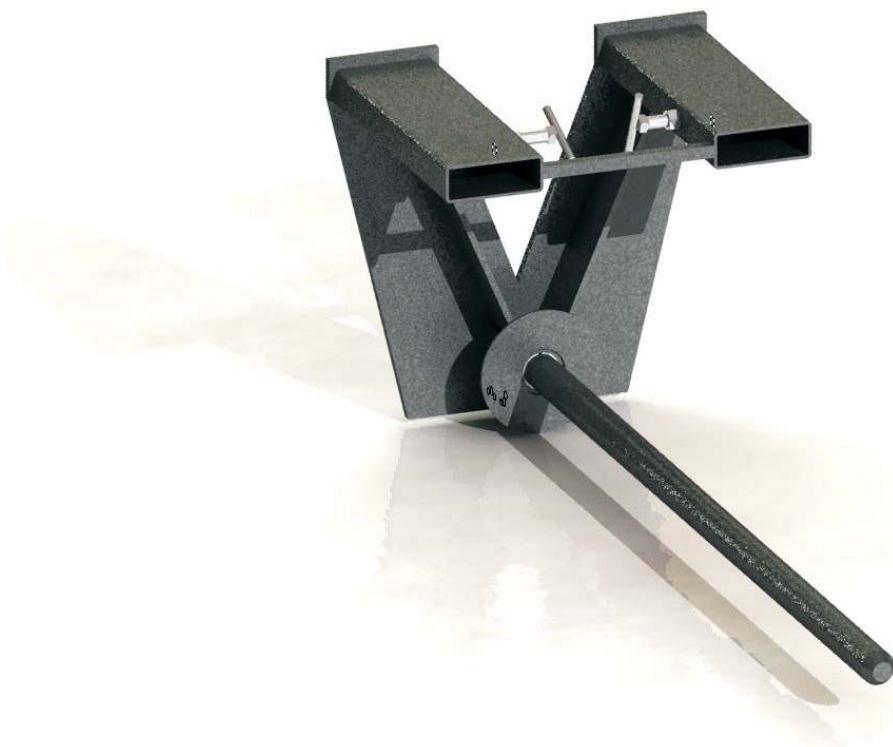
RP3.48D	48	374	38.8	6.3	7050
RP3.60D	60	398	46.3	6.0	5640
RP3.72D	72	422	55.6	5.9	4675
RP3.84D	84	446	64.0	5.7	4126
RP3.96D	96	470	74.3	5.6	3525
RP3.108D	108	494	82.5	5.5	3116
RP3.120D	120	518	94.0	5.4	2820
RP3.144D	144	565	114	5.3	2350
RP3.156D	156	590	124	5.2	2169

FORK MOUNT - 3.50 DIA

RP3.548D	48	417	42.9	5.9	9525
RP3.560D	60	451	52.4	5.7	7620
RP3.572D	72	485	62.0	5.5	6350
RP3.584D	84	518	71.9	5.8	5442
RP3.596D	96	552	82.6	5.3	4762
RP3.5108D	108	586	93.4	5.2	4233
RP3.5120D	120	620	106	5.1	3810
RP3.5144D	144	688	128	5.0	3175

INVERTED FORK MOUNT RAM POLES

Superior Engineering's Inverted Fork Mount Ram pole allows your lift truck to have more capacity than standard ram poles. These poles are manufactured to your requirements.



FEATURES

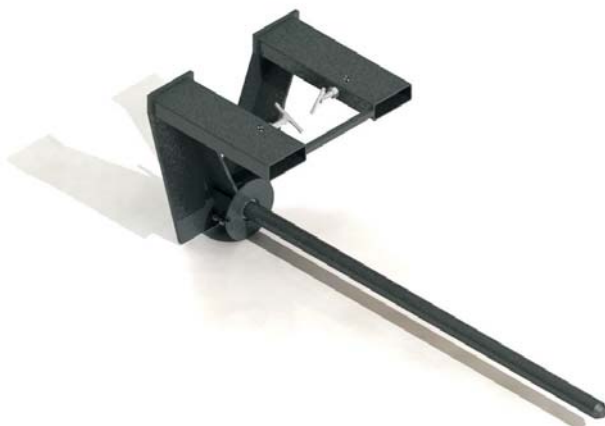
- Rotatable and replaceable pole
- Large Fork Pockets accepts 2.35 x 7 forks
- No tool needed for installations
- Tapered to ease entry into core

INVERTED FORK MOUNT RAM POLES

T-HANDLE LOCKS

**FORK POCKETS OVER THE
POLE CREATES LESS LOST
LOAD**

REPLACEABLE POLE



INVERTED FORK MOUNT RAM POLE

SPECIFICATIONS

MODEL NO.	LENGTH	WEIGHT	HCG	VCG	CAPACITY
INVERTED FORK MOUNT - 1.50 DIA					
RP1.548IV	48	328	6.74	18.7	550
RP1.560IV	60	335	7.69	18.4	440
INVERTED FORK MOUNT - 1.75 DIA					
RP1.7536IV	36	329	6.31	18.7	900
RP1.7548IV	48	337	7.28	18.3	675
RP1.7560IV	60	357	8.51	18.0	540
RP1.7572IV	72	353	9.95	17.7	450
INVERTED FORK MOUNT - 2.00 DIA					
RP2.36IV	36	336	6.67	18.4	1800
RP2.48IV	48	347	7.90	17.9	1350
RP2.60IV	60	357	9.42	17.5	1080
RP2.72IV	72	368	11.2	17.1	900
RP2.84IV	84	379	13.2	16.8	790
RP2.96IV	96	389	15.4	16.4	675
RP2.108IV	108	400	17.9	16.1	600
RP2.120IV	120	410	20.5	15.8	540
RP2.144IV	144	432	26.2	15.2	450
INVERTED FORK MOUNT - 2.50 DIA					
RP2.536IV	36	368	7.52	17.1	5400
RP2.548IV	48	383	9.22	16.6	4050
RP2.560IV	60	401	11.4	16.1	3240
RP2.572IV	72	418	13.8	15.6	2700
RP2.584IV	84	434	16.5	15.1	2370
RP2.596IV	96	451	19.5	14.7	2025
RP2.5108IV	108	468	22.6	14.3	1800
RP2.5120IV	120	484	26.0	14.0	1620
RP2.5144IV	144	518	33.2	13.3	1350
INVERTED FORK MOUNT - 2.75 DIA					
RP2.7536IV	36	378	7.96	16.8	7200
RP2.7548IV	48	398	10.0	16.1	5400
RP2.7560IV	60	418	12.4	15.6	4320
RP2.7572IV	72	439	15.2	15.0	3600
RP2.7584IV	84	459	18.0	14.5	3160
RP2.7596IV	96	479	21.4	14.1	2700
RP2.75108IV	108	499	24.9	13.7	2508
RP2.75120IV	120	519	28.6	13.3	2200
RP2.75144IV	144	560	36.5	12.6	1800
RP2.75156IV	156	580	40.7	12.3	1650
RP2.75168IV	168	600	44.9	12.1	1550
INVERTED FORK MOUNT - 3.00 DIA					
RP3.36	36	390	8.42	16.4	9400
RP3.48IV	48	414	10.7	15.7	7050
RP3.60IV	60	438	13.4	15.0	5640
RP3.72IV	72	464	16.4	14.4	4675
RP3.84IV	84	488	19.8	13.9	4126
RP3.96IV	96	512	23.3	13.4	3525
RP3.108IV	108	536	27.1	13.0	3116
RP3.120IV	120	560	31.1	12.6	2820
RP3.144IV	144	608	39.6	11.9	2350
RP3.156IV	156	633	44.0	11.6	2169